

# BOLT & NUT AUSTRALIA

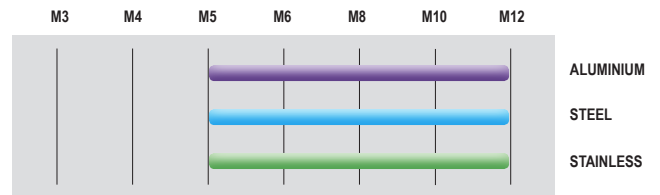
PTY LTD.

## RT-512

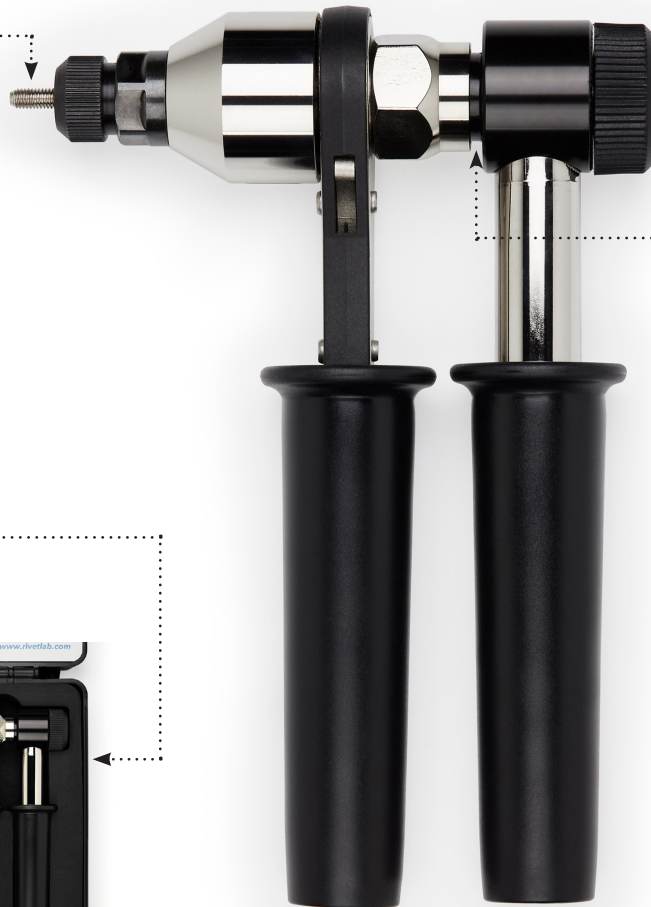
### Ratchet Rivnut Tool for Rivet Nuts up to M12

The RivetLab® RT-512 is a professional standard heavy duty hand rivnut tool. It is capable of setting rivet nuts from M5 to M12 in all materials and rivstuds from M5 to M8.

#### Setting Capacity



Fast and simple change of mandrel and nosepiece



Laser engraved stroke gauge to assist with blind rivet nut setting

Supplied in a carry case with M5-M12 nose assemblies for rivet nuts & M5-M8 mandrels for rivstuds



Scan the QR code for a demo video of the RT-512 rivnut tool

#### Specifications

Product Code:	RT-512-KIT
Weight:	1.1 kg
Length:	150 mm
Height:	205 mm
Stroke (max.):	7 mm

#### Package Accessories

Mandrels and nosepieces for M5, M6, M8, M10 & M12 rivet nuts
Mandrels for M5, M6 & M8 rivstuds
Mandrels and nosepieces UNC are available
Operating Manual

\* Dimensions and specifications are subject to change without notice. Check your distributor for the latest data sheet.

Unit 9 & 10, 93 Rivergate Place, Murarrie, QLD 4172  
PH: 07 3192 9800

[www.boltandnut.com.au](http://www.boltandnut.com.au)