

Disclaimer: Images are for illustrative purposes.

All Metal Lock Nut

Thread Type: Metric - Coarse

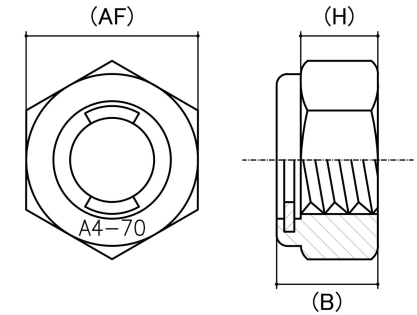
Thread Direction: Right Hand

Material: Stainless Steel

Class Grade: A4-70 G316

Corrosion Protection Level: Ultimate

Standard: DIN 980



Size	Thread Pitch (mm)	Thread Type	Overall Nut Height (B) (mm)	Hex Height (H) (mm)	Across Flats (AF) (mm)		Spanner Size (AF) (mm)	sku (Part Number)
			Nom	Nom	Min	Max		
M4	0.70mm	Coarse	4.00	3.10	6.78	7.00	7mm	41AMLS4M
M5	0.80mm	Coarse	5.10	3.80	7.78	8.00	8mm	41AMLS5M
M6	1.00mm	Coarse	5.40	4.80	9.78	10.00	10mm	41AMLS6M
M8	1.25mm	Coarse	6.90	5.60	12.73	13.00	13mm	41AMLS8M
M10	1.50mm	Coarse	8.50	6.80	16.73	17.00	17mm	41AMLS10M
M12	1.75mm	Coarse	10.30	8.70	18.67	19.00	19mm	41AMLSM12M
M16	2.00mm	Coarse	14.60	12.30	23.67	24.00	24mm	41AMLS16M
M20	2.50mm	Coarse	17.30	15.00	29.16	30.00	30mm	41AMLS20M

Disclaimer:

Dimensional data and technical information was obtained from publically available sources and not acquired through standard agencies. It has been completed and compiled for reference purposes only; where discrepancies are found they are subject to change without notice. Bolt & Nut Australia makes no warranties or representations regarding the accuracy and validity of the compiled information and data. Contact the relevant standard authorities for accurate and detailed information.

© Bolt & Nut Australia Pty Ltd. All rights reserved.

Version: 17 Mar 2026