

Disclaimer: Images are for illustrative purposes.

All Metal Lock Nut

Thread Type: Metric - Fine

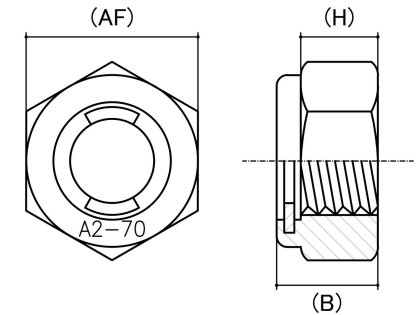
Thread Direction: Right Hand

Material: Stainless Steel

Class Grade: A2-70 G304

Corrosion Protection Level: Excellent

Standard: DIN 980



Size	Thread Pitch (mm)	Thread Type	Overall Nut Height (B) (mm)	Hex Height (H) (mm)	Across Flats (AF) (mm)		Spanner Size (AF) (mm)	sku (Part Number)
			Nom	Nom	Min	Max		
M10	1.25mm	Fine	8.50	6.80	16.73	17.00	17mm	41AMLSMF10125
M12	1.50mm	Fine	10.30	8.70	18.67	19.00	19mm	41AMLSMF12150
M12	1.25mm	Fine	10.30	8.70	18.67	19.00	19mm	41AMLSMF12125

Disclaimer:

Dimensional data and technical information was obtained from publically available sources and not acquired through standard agencies. It has been completed and compiled for reference purposes only; where discrepancies are found they are subject to change without notice. Bolt & Nut Australia makes no warranties or representations regarding the accuracy and validity of the compiled information and data. Contact the relevant standard authorities for accurate and detailed information.

© Bolt & Nut Australia Pty Ltd. All rights reserved.

Version: 17 Mar 2026