

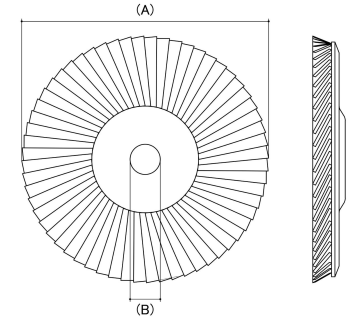
Disclaimer: Images are for illustrative purposes.

Zirconia Flap Disc

Product Brand: Alpha

Country Of Origin: Europe

Application: Steel, Stainless Steel & Sheet Metal



Size (A) (mm)	Grit	Grade	Bore (B) (mm)	Grain	Max Operating Speed	sku (Part Number)
178mm	40	Ultra Coarse	22.20	Zirconia	80 m/s	16FD1782240Z
178mm	60	Coarse	22.20	Zirconia	80 m/s	16FD1782260Z
178mm	80	Coarse	22.20	Zirconia	80 m/s	16FD1782280Z
178mm	120	Medium	22.20	Zirconia	80 m/s	16FD17822120Z

Disclaimer:

Dimensional data and technical information was obtained from publically available sources and not acquired through standard agencies. It has been completed and compiled for reference purposes only; where discrepancies are found they are subject to change without notice. Bolt & Nut Australia makes no warranties or representations regarding the accuracy and validity of the compiled information and data. Contact the relevant standard authorities for accurate and detailed information.

© Bolt & Nut Australia Pty Ltd. All rights reserved.

Version: 17 Mar 2026