

*Disclaimer: Images are for illustrative purposes.*

## Standard Full Nut

**Thread Type:** Metric - Coarse

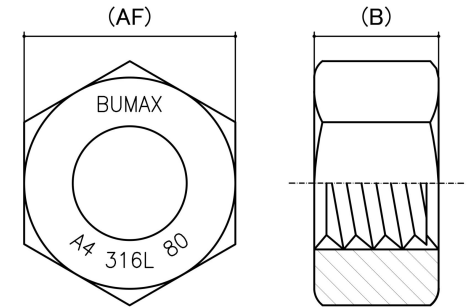
**Thread Direction:** Right Hand

**Material:** High Tensile Stainless Steel

**Class Grade:** High Tensile A4-80 G316

**Corrosion Protection Level:** Ultimate

**Standard:** DIN 934



Size	Thread Pitch (mm)	Thread Type	Overall Nut Height (B) (mm)		Across Flats (AF) (mm)		Spanner Size (AF) (mm)	sku (Part Number)
			Min	Max	Min	Max		
M6	1.00mm	Coarse	4.70	5.00	9.78	10.00	10mm	41S6MB88
M8	1.25mm	Coarse	6.14	6.40	12.73	13.00	13mm	41S8MB88
M10	1.50mm	Coarse	7.42	8.00	16.73	17.00	17mm	41S10MB88
M12	1.75mm	Coarse	9.64	10.00	18.67	19.00	19mm	41SM12MB88
M16	2.00mm	Coarse	12.30	13.00	23.67	24.00	24mm	41S16MB88
M20	2.50mm	Coarse	15.00	16.00	29.16	30.00	30mm	41S20MB88

**Disclaimer:**

Dimensional data and technical information was obtained from publically available sources and not acquired through standard agencies. It has been completed and compiled for reference purposes only; where discrepancies are found they are subject to change without notice. Bolt & Nut Australia makes no warranties or representations regarding the accuracy and validity of the compiled information and data. Contact the relevant standard authorities for accurate and detailed information.

© Bolt & Nut Australia Pty Ltd. All rights reserved.

Version: 17 Mar 2026