

Disclaimer: Images are for illustrative purposes.

Cage Nut

Thread Type: Metric - Coarse

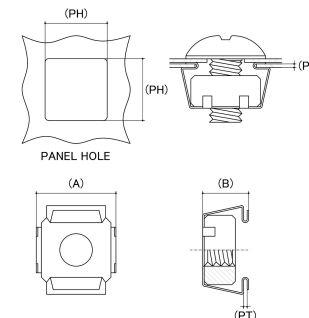
Thread Direction: Right Hand

Material: Carbon Steel

Class Grade: Low Tensile Class 4.6

Finish: Zinc Yellow

Corrosion Protection Level: Moderate



Size	Thread Pitch (mm)	Thread Type	Overall Nut Height (B) (mm)	Nut Length (L) (mm)	Nut Width (A) (mm)	Panel Thickness (PT) (mm)		Panel Hole Size (PH) (mm)	sku (Part Number)
			Nom	Nom	Nom	Min	Max	Nom	
M4	0.70mm	Coarse	8.90	13.00	13.20	0.70	1.60	9.50	41CN4
M4	0.70mm	Coarse	10.60	13.00	13.20	1.80	2.65	9.50	41CN42
M5	0.80mm	Coarse	8.90	13.00	13.20	0.70	1.60	9.50	41CN5
M5	0.80mm	Coarse	9.70	13.00	13.20	1.80	2.65	9.50	41CN52
M5	0.80mm	Coarse	10.60	13.00	13.20	2.65	3.25	9.50	41CN53
M6	1.00mm	Coarse	9.55	13.00	13.20	0.70	1.60	9.50	41CN6
M6	1.00mm	Coarse	11.00	13.00	13.20	1.80	2.65	9.50	41CN62
M6	1.00mm	Coarse	10.60	13.00	13.20	2.65	3.25	9.50	41CN63
M8	1.25mm	Coarse	9.95	16.20	16.40	0.70	1.60	12.80	41CN8
M8	1.25mm	Coarse	10.50	16.20	16.40	1.60	2.65	12.80	41CN82
M8	1.25mm	Coarse	11.25	16.20	16.40	2.65	3.25	12.80	41CN83
M8	1.25mm	Coarse	13.10	16.20	16.40	3.25	4.30	12.80	41CN84
M10	1.50mm	Coarse	9.70	16.20	16.40	0.70	1.60	12.80	41CN10
M10	1.50mm	Coarse	10.50	16.20	16.40	1.60	2.65	12.80	41CN102
M10	1.50mm	Coarse	11.20	16.20	16.40	2.65	3.25	12.80	41CN103

Size	Thread Pitch (mm)	Thread Type	Overall Nut Height (B) (mm)	Nut Length (L) (mm)	Nut Width (A) (mm)	Panel Thickness (PT) (mm)		Panel Hole Size (PH) (mm)	sku (Part Number)
			Nom	Nom	Nom	Min	Max	Nom	
M12	1.75mm	Coarse	13.85	20.50	20.50	1.00	1.70	14.00	41CN12
M12	1.75mm	Coarse	14.40	20.50	20.50	1.80	3.20	14.00	41CN122
M12	1.75mm	Coarse	16.75	20.50	20.50	3.30	4.70	14.00	41CN123
M12	1.75mm	Coarse	19.60	20.50	20.50	4.80	6.20	14.00	41CN124

Disclaimer:

Dimensional data and technical information was obtained from publically available sources and not acquired through standard agencies. It has been completed and compiled for reference purposes only; where discrepancies are found they are subject to change without notice. Bolt & Nut Australia makes no warranties or representations regarding the accuracy and validity of the compiled information and data. Contact the relevant standard authorities for accurate and detailed information.

© Bolt & Nut Australia Pty Ltd. All rights reserved.

Version: 17 Mar 2026