

Disclaimer: Images are for illustrative purposes.

Captive Pin Dee Shackle

Pin Type: Captive

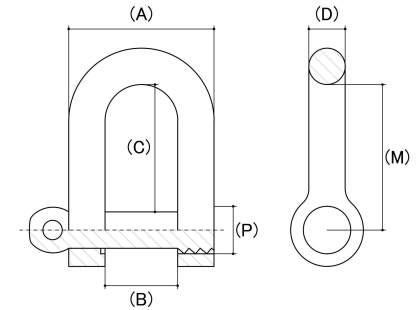
Material: Stainless Steel

Class Grade: A4-70 G316

Corrosion Protection Level: Ultimate

Standard: No International standard applies to this range

Comments: This product range is not rated and has no markings. Breaking load information provided is to be used as a guide only



Size	Width Of Opening (B) (mm)		Outside Diameter Of Eye (A) (mm)		Inside Eye Length (C) (mm)		Inside Eye Length to Pin Centre (M) (mm)		Pin Diameter (P) (mm)	Breaking Load Kgs (Not Rated Guide only)	sku (Part Number)
	Min	Max	Min	Max	Min	Max	Min	Max		Nom	
5mm	9.00	11.00	18.00	20.00	17.00	19.00	20.00	22.00	5.00	1000	62DSCPS520M
6mm	12.00	14.00	23.00	25.00	21.00	23.00	24.00	26.00	6.00	1700	62DSCPS624M
8mm	15.00	17.00	31.00	33.00	28.00	30.00	31.00	33.00	8.00	2500	62DSCPS832M
10mm	20.00	22.00	37.00	39.00	33.00	35.00	37.00	39.00	10.00	4100	62DSCPS1040M
12mm	24.00	26.00	46.00	48.00	42.00	44.00	49.00	51.00	12.00	5400	62DSCPS1248M

Disclaimer:

Dimensional data and technical information was obtained from publically available sources and not acquired through standard agencies. It has been completed and compiled for reference purposes only; where discrepancies are found they are subject to change without notice. Bolt & Nut Australia makes no warranties or representations regarding the accuracy and validity of the compiled information and data. Contact the relevant standard authorities for accurate and detailed information.

© Bolt & Nut Australia Pty Ltd. All rights reserved.

Version: 19 Mar 2026