

Disclaimer: Images are for illustrative purposes.

Conelock Nut

Thread Type: Metric - Coarse

Thread Direction: Right Hand

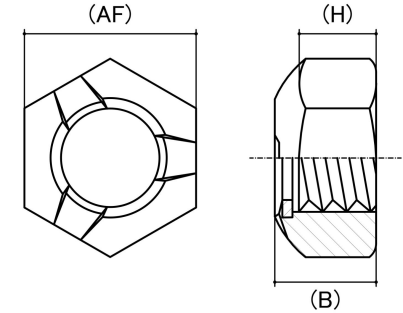
Material: Carbon Steel

Class Grade: High Tensile Class 10

Finish: Zinc Plated

Corrosion Protection Level: Moderate

Standard: DIN 980



Size	Thread Pitch (mm)	Thread Type	Overall Nut Height (B) (mm)		Hex Height (H) (mm)	Across Flats (AF) (mm)		Spanner Size (AF) (mm)	sku (Part Number)
			Min	Max	Nom	Min	Max		
M6	1.00mm	Coarse	5.30	6.00	4.50	9.78	10.00	10mm	41CL6
M8	1.25mm	Coarse	6.55	8.00	6.00	12.73	13.00	13mm	41CL8
M10	1.50mm	Coarse	9.00	10.00	7.50	16.73	17.00	17mm	41CL10
M12	1.75mm	Coarse	10.85	12.00	8.50	18.67	19.00	19mm	41CLM12
M14	2.00mm	Coarse	12.60	13.60	11.50	21.67	22.00	22mm	41CL14
M16	2.00mm	Coarse	14.00	15.50	12.50	23.67	24.00	24mm	41CL16
M20	2.50mm	Coarse	18.00	20.00	15.40	29.16	30.00	30mm	41CL20
M24	3.00mm	Coarse	21.00	24.00	18.50	35.16	36.00	36mm	41CL24
M30	3.50mm	Coarse	21.00	24.00	-	45.00	46.00	46mm	41CL30

Disclaimer:

Dimensional data and technical information was obtained from publicly available sources and not acquired through standard agencies. It has been completed and compiled for reference purposes only; where discrepancies are found they are subject to change without notice. Bolt & Nut Australia makes no warranties or representations regarding the accuracy and validity of the compiled information and data. Contact the relevant standard authorities for accurate and detailed information.

© Bolt & Nut Australia Pty Ltd. All rights reserved.

Version: 17 Mar 2026