

*Disclaimer: Images are for illustrative purposes.*

## Conelock Nut

**Thread Type:** Metric - Fine

**Thread Direction:** Right Hand

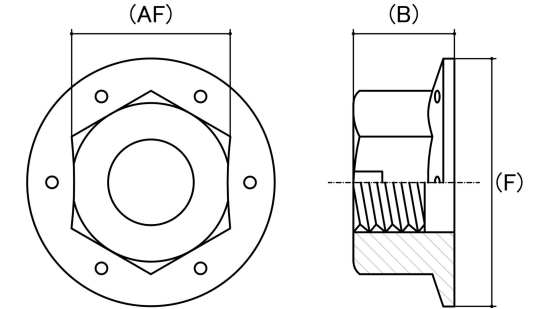
**Material:** Carbon Steel

**Class Grade:** High Tensile Class 10

**Finish:** Zinc Plated

**Corrosion Protection Level:** Moderate

**Standard:** DIN 980



| Size | Thread Pitch (mm) | Thread Type | Overall Nut Height (B) (mm) |       | Hex Height (H) (mm) | Across Flats (AF) (mm) |       | Spanner Size (AF) (mm) | sku (Part Number) |
|------|-------------------|-------------|-----------------------------|-------|---------------------|------------------------|-------|------------------------|-------------------|
|      |                   |             | Min                         | Max   | Nom                 | Min                    | Max   |                        |                   |
| M10  | 1.25mm            | Fine        | 9.00                        | 10.00 | 7.50                | 16.73                  | 17.00 | 17mm                   | 41CL10125         |
| M12  | 1.50mm            | Fine        | 10.85                       | 12.00 | 8.50                | 18.67                  | 19.00 | 19mm                   | 41CL12150         |
| M14  | 1.50mm            | Fine        | 12.60                       | 13.60 | 11.50               | 21.67                  | 22.00 | 22mm                   | 41CL14150         |
| M16  | 1.50mm            | Fine        | 14.00                       | 15.50 | 12.50               | 23.67                  | 24.00 | 24mm                   | 41CL16150         |
| M20  | 1.50mm            | Fine        | 18.00                       | 20.00 | 15.40               | 29.16                  | 30.00 | 30mm                   | 41CL20150         |

**Disclaimer:**

Dimensional data and technical information was obtained from publically available sources and not acquired through standard agencies. It has been completed and compiled for reference purposes only; where discrepancies are found they are subject to change without notice. Bolt & Nut Australia makes no warranties or representations regarding the accuracy and validity of the compiled information and data. Contact the relevant standard authorities for accurate and detailed information.

© Bolt & Nut Australia Pty Ltd. All rights reserved.

Version: 17 Mar 2026