

External Serrated Tooth Lock Washer

Material: Stainless Steel

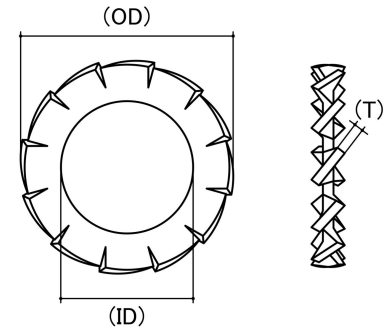
Class Grade: A2-70 G304

Corrosion Protection Level: Excellent

Standard: DIN 6798 Type A

System Of Measurement: Metric

Comments: Washers are not precision items. Dimensional data should be used as a guide only.



*Cad Drawings shown for graphic representation only.**

| Industry Size | Inside Dimension (ID) (mm) | | Outside Dimension (OD) (mm) | Thickness (T) (mm) | Approx Number Of Teeth | sku (Part Number) |
|----------------|-------------------------------|-------|--------------------------------|-----------------------|------------------------|----------------------|
| | Min | Max | | Nom | Nom | |
| M3 x 6 x 0.4 | 3.20 | 3.38 | 6.00 | 0.40 | 9 | 71LXSS3 |
| M4 x 8 x 0.5 | 4.30 | 4.70 | 8.00 | 0.50 | 10 | 71LXSS4 |
| M5 x 10 x 0.6 | 5.30 | 5.50 | 10.00 | 0.60 | 11 | 71LXSS5 |
| M6 x 11 x 0.7 | 6.40 | 6.60 | 11.00 | 0.70 | 12 | 71LXSS6 |
| M8 x 15 x 0.8 | 8.40 | 8.60 | 15.00 | 0.80 | 14 | 71LXSS8 |
| M10 x 18 x 0.9 | 10.20 | 10.75 | 18.00 | 0.90 | 16 | 71LXSS10 |
| M12 x 20.5 x 1 | 13.00 | 13.30 | 20.50 | 1.00 | 16 | 71LXSSM12 |
| M16 x 26 x 1.2 | 16.20 | 17.30 | 26.00 | 1.20 | 18 | 71LXSS16 |
| M20 x 33 x 1.4 | 21.00 | 21.33 | 33.00 | 1.40 | 20 | 71LXSS20 |
| M24 x 38 x 1.5 | 25.33 | 25.50 | 38.00 | 1.50 | 20 | 71LXSS24 |
| M30 x 48 x 1.6 | 30.39 | 31.00 | 48.00 | 1.60 | 22 | 71LXSS30 |

Disclaimer:

Dimensional data and technical information was obtained from publically available sources and not acquired through standard agencies. It has been completed and compiled for reference purposes only; where discrepancies are found they are subject to change without notice. Bolt & Nut Australia makes no warranties or representations regarding the accuracy and validity of the compiled information and data. Contact the relevant standard authorities for accurate and detailed information.

* Cad Drawings may not reflect diameter, thread length or overall length.

© Bolt & Nut Australia Pty Ltd. All rights reserved.

Version: 09 Aug 2024