

Disclaimer: Images are for illustrative purposes.

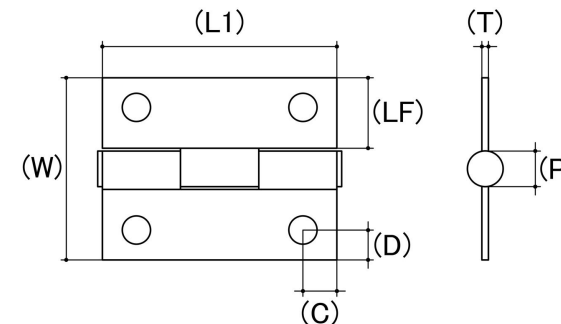
Fixed Pin Hinge

Pin Type: Fixed Pin

Material: Stainless Steel

Class Grade: A2-70 G304

Corrosion Protection Level: Excellent



Size	Length L (1) (mm)	Open Width (W) (mm)	Width of each Leaf (LF) (mm)	Leaf Thickness (T) (mm)	Pin Diameter (P) (mm)	Hole To Edge (D) (mm)	Hole To Edge (C) (mm)	No Of Holes Per Leaf	Countersunk Screws Included	sku (Part Number)
50mm x 38mm (4 hole)	50.00	38.00	15.00	1.40	7.14	6.53	6.15	2	6g x 3/4	62BHS5038FP
75mm x 50mm (6 hole)	75.00	50.00	20.00	1.50	7.46	9.00	9.21	3	6g x 3/4	62BHS7550FP
100mm x 70mm (8 hole)	100.00	70.00	30.00	1.90	10.38	11.86	18.09	4	8g x 1	62BHS10070FP

Disclaimer:

Dimensional data and technical information was obtained from publically available sources and not acquired through standard agencies. It has been completed and compiled for reference purposes only; where discrepancies are found they are subject to change without notice. Bolt & Nut Australia makes no warranties or representations regarding the accuracy and validity of the compiled information and data. Contact the relevant standard authorities for accurate and detailed information.

© Bolt & Nut Australia Pty Ltd. All rights reserved.

Version: 19 Mar 2026