

Disclaimer: Images are for illustrative purposes.

Flange Nut

Thread Type: Metric - Coarse

Thread Direction: Right Hand

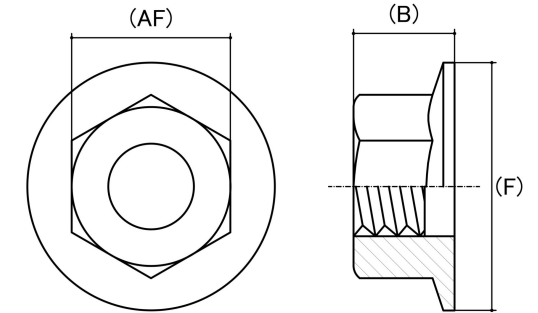
Material: Nylon

Class Grade: Low Tensile Class 4.6

Finish: White

Corrosion Protection Level: Excellent

Standard: DIN 6923



Size	Thread Pitch (mm)	Thread Type	Overall Nut Height (B) (mm)		Hex Height (H) (mm)		Flange Diameter (F) (mm)		Across Flats (AF) (mm)		Spanner Size (AF) (mm)	sku (Part Number)
			Min	Max	Min	Max	Min	Max	Min	Max		
M4	0.70mm	Coarse	4.00	4.35	2.70	2.90	9.30	9.60	6.78	7.00	7mm	41FLNY4
M5	0.80mm	Coarse	5.10	5.40	4.00	4.30	10.80	11.20	7.78	8.00	8mm	41FLNY5
M6	1.00mm	Coarse	5.64	6.00	5.70	6.00	12.90	13.30	9.78	10.00	10mm	41FLNY6
M8	1.25mm	Coarse	7.20	7.60	5.80	6.10	16.60	17.00	12.73	13.00	13mm	41FLNY8
M10	1.50mm	Coarse	9.30	9.70	7.20	7.60	21.10	21.50	15.73	16.00	16mm	41FLNY10
M12	1.75mm	Coarse	12.60	12.80	9.60	10.00	27.00	27.50	17.73	18.00	18mm	41FLNY12
M16	2.00mm	Coarse	16.40	16.80	13.10	13.60	34.40	34.90	23.50	24.00	24mm	41FLNY16
M20	2.50mm	Coarse	19.90	20.50	16.40	16.90	42.80	43.90	29.16	30.00	30mm	41FLNY20

Disclaimer:

Dimensional data and technical information was obtained from publicly available sources and not acquired through standard agencies. It has been completed and compiled for reference purposes only; where discrepancies are found they are subject to change without notice. Bolt & Nut Australia makes no warranties or representations regarding the accuracy and validity of the compiled information and data. Contact the relevant standard authorities for accurate and detailed information.

© Bolt & Nut Australia Pty Ltd. All rights reserved.

Version: 17 Mar 2026