

*Disclaimer: Images are for illustrative purposes.*

## Flange Serrated Nut

**Thread Type:** Metric - Coarse

**Thread Direction:** Right Hand

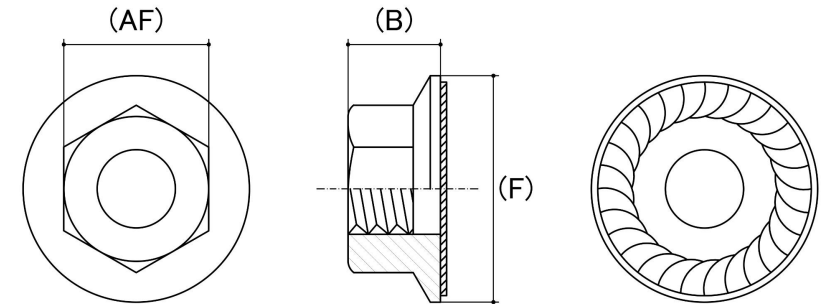
**Material:** Carbon Steel

**Class Grade:** High Tensile Class 8

**Finish:** Zinc Plated

**Corrosion Protection Level:** Moderate

**Standard:** DIN 6923



| Size | Thread Pitch (mm) | Thread Type | Overall Nut Height (B) (mm) |       | Flange Diameter (F) (mm) |       | Across Flats (AF) (mm) |       | Spanner Size (AF) (mm) | sku (Part Number) |
|------|-------------------|-------------|-----------------------------|-------|--------------------------|-------|------------------------|-------|------------------------|-------------------|
|      |                   |             | Min                         | Max   | Min                      | Max   | Min                    | Max   |                        |                   |
| M3   | 0.50mm            | Coarse      | 3.55                        | 3.75  | 7.50                     | 7.90  | 5.32                   | 5.50  | 5.5mm                  | 41FL3             |
| M4   | 0.70mm            | Coarse      | 4.35                        | 4.65  | 9.60                     | 10.00 | 6.78                   | 7.00  | 7mm                    | 41FL4             |
| M5   | 0.80mm            | Coarse      | 4.70                        | 5.00  | 11.50                    | 11.90 | 7.78                   | 8.00  | 8mm                    | 41FL5             |
| M6   | 1.00mm            | Coarse      | 5.64                        | 6.00  | 12.70                    | 13.30 | 9.78                   | 10.00 | 10mm                   | 41FL6             |
| M8   | 1.25mm            | Coarse      | 7.60                        | 8.00  | 16.50                    | 17.30 | 12.73                  | 13.00 | 13mm                   | 41FL8             |
| M10  | 1.50mm            | Coarse      | 9.60                        | 10.00 | 20.50                    | 21.30 | 14.73                  | 15.00 | 15mm                   | 41FL10            |
| M12  | 1.75mm            | Coarse      | 11.60                       | 12.00 | 24.60                    | 25.80 | 17.73                  | 18.00 | 18mm                   | 41FL12            |
| M16  | 2.00mm            | Coarse      | 15.30                       | 16.00 | 33.80                    | 35.00 | 23.67                  | 24.00 | 24mm                   | 41FL16            |

**Disclaimer:**

Dimensional data and technical information was obtained from publicly available sources and not acquired through standard agencies. It has been completed and compiled for reference purposes only; where discrepancies are found they are subject to change without notice. Bolt & Nut Australia makes no warranties or representations regarding the accuracy and validity of the compiled information and data. Contact the relevant standard authorities for accurate and detailed information.

© Bolt & Nut Australia Pty Ltd. All rights reserved.

Version: 17 Mar 2026