

Disclaimer: Images are for illustrative purposes.

Flange Serrated Nut

Thread Type: Metric - Fine

Thread Direction: Right Hand

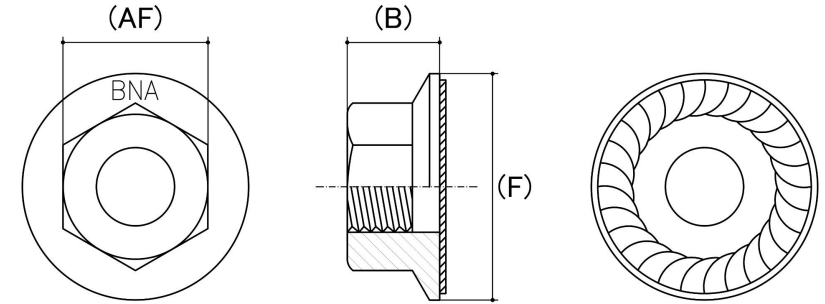
Material: Carbon Steel

Class Grade: High Tensile Class 8

Finish: Zinc Yellow

Corrosion Protection Level: Moderate

Standard: DIN 6923



Size	Thread Pitch (mm)	Thread Type	Overall Nut Height (B) (mm)		Flange Diameter (F) (mm)		Across Flats (AF) (mm)		Spanner Size (AF) (mm)	sku (Part Number)
			Min	Max	Min	Max	Min	Max		
M10	1.25mm	Fine	9.60	10.00	20.50	21.30	14.73	15.00	15mm	41FLMF10125ZY
M12	1.25mm	Fine	11.60	12.00	25.70	26.00	17.73	18.00	18mm	41FLMF12125ZY
M12	1.50mm	Fine	11.60	12.00	25.70	26.00	17.73	18.00	18mm	41FLMF12150ZY

Disclaimer:

Dimensional data and technical information was obtained from publically available sources and not acquired through standard agencies. It has been completed and compiled for reference purposes only; where discrepancies are found they are subject to change without notice. Bolt & Nut Australia makes no warranties or representations regarding the accuracy and validity of the compiled information and data. Contact the relevant standard authorities for accurate and detailed information.

© Bolt & Nut Australia Pty Ltd. All rights reserved.

Version: 17 Mar 2026