

Disclaimer: Images are for illustrative purposes.

Flange Serrated Nut

Thread Type: UNC / BSW - Coarse

Thread Direction: Right Hand

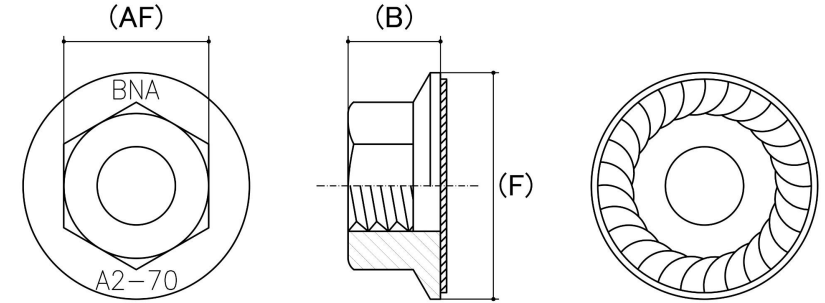
Material: Stainless Steel

Class Grade: A2-70 G304

Corrosion Protection Level: Excellent

Standard: DIN 6923

Comments: UNC and BSW have the same thread per inch (TPI) value, except for 1/2"



Size	Thread Pitch (TPI)	Thread Type	Overall Nut Height (B) (mm)		Hex Height (H) (mm)	Flange Diameter (F) (mm)		Across Flats (AF) (mm)		Spanner Size (AF) (inches)	sku (Part Number)
			Min	Max	Nom	Min	Max	Min	Max		
#8-32	32 TPI	Coarse	4.75	5.16	3.31	11.49	11.92	8.44	8.74	11/32"	41FLSC832
#10-24 (3/16")	24 TPI	Coarse	5.16	5.56	3.31	12.20	12.70	9.20	9.53	3/8"	41FLSC1024
1/4"	20 TPI	Coarse	5.64	6.00	3.81	14.58	15.09	10.88	11.16	7/16"	41FLSC14
5/16"	18 TPI	Coarse	6.81	7.19	4.32	16.77	17.28	12.43	12.76	1/2"	41FLSC516
3/8"	16 TPI	Coarse	8.38	8.81	5.85	18.50	19.05	14.00	14.28	9/16"	41FLSC38

Disclaimer:

Dimensional data and technical information was obtained from publically available sources and not acquired through standard agencies. It has been completed and compiled for reference purposes only; where discrepancies are found they are subject to change without notice. Bolt & Nut Australia makes no warranties or representations regarding the accuracy and validity of the compiled information and data. Contact the relevant standard authorities for accurate and detailed information.

© Bolt & Nut Australia Pty Ltd. All rights reserved.

Version: 17 Mar 2026