

## Flat Round Washer

**Material:** Solid Brass

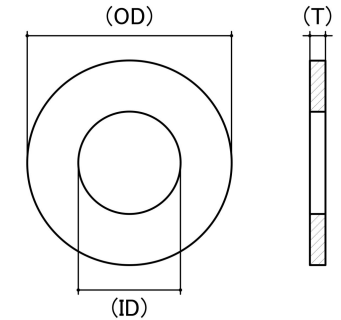
**Class Grade:** Low Tensile Grade 2

**Corrosion Protection Level:** Ultimate

**Standard:** BS 3410

**System Of Measurement:** Imperial

**Comments:** Washers are not precision items. Dimensional data should be used as a guide only.



*Cad Drawings shown for graphic representation only.\**

Industry Size (inches)	Inside Dimension (ID) (mm)		Outside Dimension (OD) (mm)		Thickness (T) (mm)		sku (Part Number)
	Min	Max	Min	Max	Min	Max	
1/8" x 5/16" x 21g	3.40	3.90	7.80	8.00	0.75	0.85	71B18516
1/8" x 3/8" x 21g	3.40	3.90	9.30	9.50	0.75	0.85	71B1838
5/32" x 3/8" x 21g	4.10	4.60	9.30	9.50	0.75	0.85	71B53238
5/32" x 7/16" x 21g	4.10	4.60	10.90	11.20	0.75	0.85	71B532716
3/16" x 7/16" x 21g	5.10	5.60	10.90	11.20	0.75	0.85	71B316716
3/16" x 1/2" x 21g	5.10	5.60	12.40	12.70	0.75	0.85	71B31612
1/4" x 1/2" x 21g	6.70	7.20	12.40	12.70	0.75	0.85	71B1412
1/4" x 9/16" x 19g	6.70	7.20	14.00	14.40	0.90	1.00	71B14916
1/4" x 5/8" x 19g	6.70	7.20	15.50	16.00	0.90	1.00	71B1458
5/16" x 5/8" x 18g	8.60	9.30	15.50	16.00	1.10	1.30	71B51658
5/16" x 3/4" x 18g	8.60	9.30	18.50	19.00	1.10	1.30	71B51634
3/8" x 3/4" x 16g	10.70	11.10	18.50	19.00	1.30	1.60	71B3834
3/8" x 7/8" x 18g	10.70	11.10	21.80	22.20	1.10	1.30	71B3878

**Disclaimer:**

Dimensional data and technical information was obtained from publically available sources and not acquired through standard agencies. It has been completed and compiled for reference purposes only; where discrepancies are found they are subject to change without notice. Bolt & Nut Australia makes no warranties or representations regarding the accuracy and validity of the compiled information and data. Contact the relevant standard authorities for accurate and detailed information.

\* Cad Drawings may not reflect diameter, thread length or overall length.