

Flat Round Washer

Material: Nylon

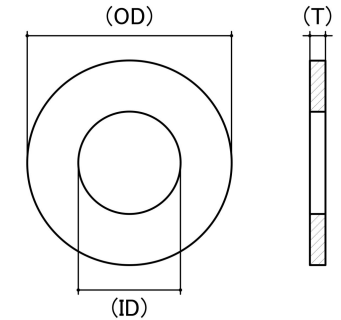
Corrosion Protection Level: Ultimate

Finish: Black

Standard: DIN 9021

System Of Measurement: Metric

Comments: Washers are not precision items. Dimensional data should be used as a guide only.



*Cad Drawings shown for graphic representation only.**

Industry Size	Inside Dimension (ID) (mm)		Outside Dimension (OD) (mm)		Thickness (T) (mm)		sku (Part Number)
	Min	Max	Min	Max	Min	Max	
M4 x 9 x 0.8	4.10	4.60	8.70	9.10	0.80	1.00	71N4908B
M5 x 10 x 1	5.20	5.50	9.70	10.10	0.90	1.10	71N5101B
M5 x 15 x 1.2	5.20	5.50	14.80	15.10	1.10	1.30	71N51512B
M6 x 12 x 1.5	6.20	6.60	11.70	12.10	1.30	1.60	71N61215B
M6 x 18 x 1.6	6.20	6.60	17.80	18.10	1.40	1.70	71N61816B
M8 x 16 x 1.6	8.20	8.80	15.80	16.10	1.40	1.70	71N81616B
M8 x 24 x 2	8.20	8.80	23.80	24.20	1.80	2.00	71N8242B
M10 x 20 x 2	10.30	10.90	19.80	20.10	1.80	2.00	71N10202B
M10 x 30 x 2.5	10.30	10.90	29.80	30.40	2.30	2.60	71N103025B
M12 x 24 x 2.5	12.80	13.40	23.80	24.10	2.30	2.60	71NM122425B
M12 x 37 x 3	12.80	13.40	36.70	37.30	2.70	3.10	71NM12373B
M16 x 30 x 3	16.80	18.60	29.80	30.40	2.70	3.10	71N16303B
M16 x 50 x 3	16.80	18.60	49.30	50.40	2.70	3.10	71N16503B
M20 x 60 x 4	20.90	22.10	59.30	60.40	3.70	4.10	71N20604B

Disclaimer:

Dimensional data and technical information was obtained from publically available sources and not acquired through standard agencies. It has been completed and compiled for reference purposes only; where discrepancies are found they are subject to change without notice. Bolt & Nut Australia makes no warranties or representations regarding the accuracy and validity of the compiled information and data. Contact the relevant standard authorities for accurate and detailed information.

* Cad Drawings may not reflect diameter, thread length or overall length.