

Flat Round Washer

Material: Nylon

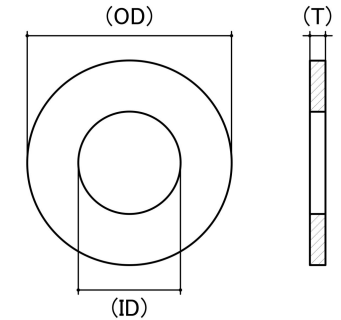
Corrosion Protection Level: Excellent

Finish: White

Standard: DIN 9021

System Of Measurement: Metric

Comments: Washers are not precision items. Dimensional data should be used as a guide only.



*Cad Drawings shown for graphic representation only.**

Industry Size	Inside Dimension (ID) (mm)		Outside Dimension (OD) (mm)		Thickness (T) (mm)		sku (Part Number)
	Min	Max	Min	Max	Min	Max	
M2 x 5 x 0.8	2.10	2.40	4.80	5.10	0.75	1.00	71N2508
M2.5 x 5.6 x 0.8	2.60	2.90	5.40	5.70	0.75	1.00	71N255608
M2.5 x 6 x 0.6	2.60	2.90	5.80	6.10	0.50	0.70	71N25606
M3 x 7 x 0.5	3.10	3.50	6.80	7.10	0.50	0.70	71N3705
M3 x 8 x 0.8	3.10	3.50	7.80	8.10	0.80	1.00	71N3808
M3 x 9 x 0.8	3.10	3.50	8.80	9.10	0.80	1.00	71N3908
M3.5 x 8 x 0.5	3.60	4.00	7.80	8.10	0.50	0.70	71N3.5805
M4 x 7 x 0.8	4.15	4.60	6.80	7.10	0.75	1.00	71N4708
M4 x 9 x 0.8	4.15	4.60	8.70	9.10	0.75	1.00	71N4908
M4 x 16 x 1.5	4.15	4.60	15.80	16.10	1.30	1.60	71N41615
M5 x 8 x 0.8	5.20	5.50	7.80	8.10	0.75	1.00	71N5808
M5 x 10 x 1	5.20	5.50	9.70	10.10	0.90	1.10	71N5101
M5 x 15 x 1.5	5.20	5.50	14.80	15.10	1.30	1.60	71N51515
M6 x 10 x 1.6	6.20	6.60	9.70	10.10	1.40	1.70	71N61016
M6 x 12.5 x 1.6	6.20	6.60	12.30	12.70	1.40	1.70	71N612516

Industry Size	Inside Dimension (ID) (mm)		Outside Dimension (OD) (mm)		Thickness (T) (mm)		sku (Part Number)
	Min	Max	Min	Max	Min	Max	
M6 x 14 x 0.8	6.20	6.60	13.70	14.10	0.75	1.00	71N61408
M6 x 18 x 1.6	6.20	6.60	17.70	18.10	1.40	1.70	71N61816
M6 x 32 x 1.6	6.20	6.60	31.80	32.20	1.40	1.70	71N63216
M7 x 14 x 1.6	7.30	7.80	13.70	14.10	1.40	1.70	71N71416
M8 x 16 x 1	8.20	8.80	15.80	16.10	0.90	1.10	71N8161
M8 x 18 x 1.6	8.20	8.80	17.80	18.10	1.40	1.70	71N81816
M8 x 24 x 2	8.20	8.80	23.80	24.20	1.80	2.10	71N8242
M10 x 20 x 2	10.30	10.90	19.80	20.20	1.80	2.10	71N10202
M10 x 21 x 1	10.30	10.90	20.70	21.10	0.90	1.10	71N10211
M10 x 21 x 1.5	10.30	10.90	20.70	21.10	1.30	1.60	71N102115
M10 x 24 x 2	10.30	10.90	23.80	24.20	1.80	2.10	71N10242
M10 x 32 x 1.6	10.30	10.90	31.80	32.20	1.40	1.70	71N103216
M12 x 25 x 1.5	12.80	13.40	24.80	25.20	1.30	1.60	71NM122515
M12 x 37 x 3	12.80	13.40	36.70	37.30	2.70	3.10	71NM12373
M14 x 30 x 3	15.00	15.60	29.80	30.40	2.70	3.10	71NM14303
M16 x 30 x 2	16.80	18.60	29.80	30.40	1.80	2.10	71N16302
M16 x 30 x 3	16.80	18.60	29.80	30.60	2.70	3.10	71N16303
M18 x 34 x 3	18.90	19.60	33.80	34.40	2.70	3.10	71N18343
M20 x 37 x 3	20.80	22.30	36.70	37.40	2.70	3.10	71N20373
M20 x 60 x 4	20.80	22.30	59.30	60.30	3.70	4.10	71N20604
M22 x 39 x 3	23.00	24.00	38.00	39.00	2.70	3.10	71N22393
M24 x 44 x 4	25.00	27.00	43.70	44.20	3.70	4.10	71N24444
M24 x 72 x 5	25.00	27.00	71.40	72.40	4.75	5.10	71N24725
M27 x 50 x 4	27.50	29.50	49.30	50.40	3.70	4.10	71N27504
M30 x 56 x 4	31.50	32.50	55.50	56.50	3.70	4.10	71N30564
M33 x 66 x 5	34.00	36.00	65.60	66.50	4.75	5.10	71N33665

Industry Size	Inside Dimension (ID) (mm)		Outside Dimension (OD) (mm)		Thickness (T) (mm)		sku (Part Number)
	Min	Max	Min	Max	Min	Max	
M36 x 66 x 5	36.50	38.00	65.60	66.50	4.75	5.10	71N36665
M39 x 72 x 5	41.00	42.00	71.40	72.40	4.75	5.10	71N39725
M42 x 72 x 6	43.80	45.00	71.40	72.40	5.60	6.10	71N42726

Disclaimer:

Dimensional data and technical information was obtained from publicly available sources and not acquired through standard agencies. It has been completed and compiled for reference purposes only; where discrepancies are found they are subject to change without notice. Bolt & Nut Australia makes no warranties or representations regarding the accuracy and validity of the compiled information and data. Contact the relevant standard authorities for accurate and detailed information.

* Cad Drawings may not reflect diameter, thread length or overall length.

© Bolt & Nut Australia Pty Ltd. All rights reserved.

Version: 09 Aug 2024