

Disclaimer: Images are for illustrative purposes.

Stitching Needle Point Timber Screw

Head Style: Hex Flange Head

Drive Type: Hex / Phillips

Screw Point: Needle Point

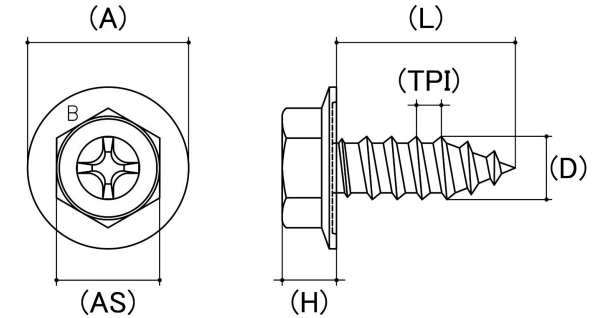
Material: Hardened Steel

Class Grade: Class 2

Finish: Zinc Plated

Corrosion Protection Level: Moderate

Internal External: Internal



Size	Thread Pitch (TPI)	Thread Type	Product Diameter (D) (mm)		Head Diameter (A) (mm)		Head Height (H) (mm)	Single Shear (kN)	Axial Tensile (kN)	Torsional (Nm)	Driver Bit Size (AS) (inches)	sku (Part Number)
			Min	Max	Min	Max	Nom	Nom	Nom	Nom		
8g (4.20mm)	15 TPI	Coarse	4.00	4.20	9.90	10.20	4.10	4.100	8.700	5.900	1/4	07STHPH

Disclaimer:

Dimensional data and technical information was obtained from publically available sources and not acquired through standard agencies. It has been completed and compiled for reference purposes only; where discrepancies are found they are subject to change without notice. Bolt & Nut Australia makes no warranties or representations regarding the accuracy and validity of the compiled information and data. Contact the relevant standard authorities for accurate and detailed information.

© Bolt & Nut Australia Pty Ltd. All rights reserved.

Version: 17 Mar 2026