

*Disclaimer: Images are for illustrative purposes.*

## Stitching Needle Point Timber Screw

**Head Style:** Hex Flange Head

**Drive Type:** Hex / Slotted

**Screw Point:** Needle Point

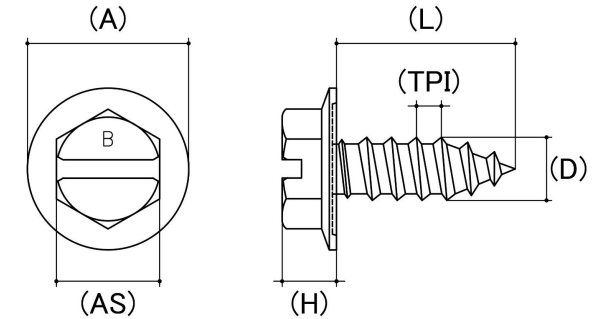
**Material:** Hardened Steel

**Class Grade:** Class 3

**Finish:** Galvanised

**Corrosion Protection Level:** Excellent

**Internal External:** External



Size	Thread Pitch (TPI)	Thread Type	Product Diameter (D) (mm)		Head Diameter (A) (mm)		Head Height (H) (mm)	Single Shear (kN)	Axial Tensile (kN)	Torsional (Nm)	Driver Bit Size (AS) (inches)	sku (Part Number)
			Min	Max	Min	Max	Nom					
8g (4.20mm)	15 TPI	Coarse	4.00	4.20	9.90	10.20	4.10	4.100	8.700	5.900	1/4	07STHSL81515C3
8g (4.20mm)	15 TPI	Coarse	4.00	4.20	9.90	10.20	4.10	4.100	8.700	5.900	1/4	07STHSLSC3N

**Disclaimer:**

Dimensional data and technical information was obtained from publically available sources and not acquired through standard agencies. It has been completed and compiled for reference purposes only; where discrepancies are found they are subject to change without notice. Bolt & Nut Australia makes no warranties or representations regarding the accuracy and validity of the compiled information and data. Contact the relevant standard authorities for accurate and detailed information.

© Bolt & Nut Australia Pty Ltd. All rights reserved.

Version: 17 Mar 2026