

Disclaimer: Images are for illustrative purposes.

Standard Full Nut

Thread Type: BSW - Coarse

Thread Direction: Right Hand

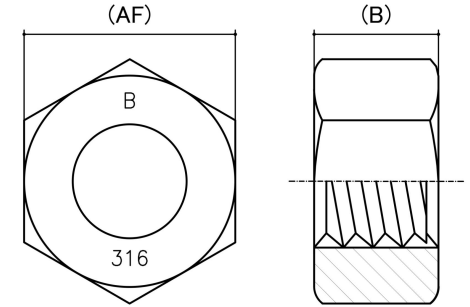
Material: Stainless Steel

Class Grade: A4-70 G316

Corrosion Protection Level: Ultimate

Standard: BS 1083

Comments: BSW and UNC have the same thread per inch (TPI) value, except for 1/2"



Size	Thread Pitch (TPI)	Thread Type	Overall Nut Height (B) (mm)		Across Flats (AF) (mm)		Spanner Size (AF) (inches)	sku (Part Number)
			Min	Max	Min	Max		
1/8"	40 TPI	Coarse	2.54	2.93	6.18	6.28	15/64"	41SW18M
5/32"	32 TPI	Coarse	2.93	3.31	6.79	7.03	9/32"	41SW532M
3/16" (#10-24)	24 TPI	Coarse	3.69	4.12	7.80	7.96	11/32"	41SW316M
1/2"	12 TPI	Coarse	10.85	11.10	18.83	19.03	3/4"	41SW12M

Disclaimer:

Dimensional data and technical information was obtained from publically available sources and not acquired through standard agencies. It has been completed and compiled for reference purposes only; where discrepancies are found they are subject to change without notice. Bolt & Nut Australia makes no warranties or representations regarding the accuracy and validity of the compiled information and data. Contact the relevant standard authorities for accurate and detailed information.

© Bolt & Nut Australia Pty Ltd. All rights reserved.

Version: 17 Mar 2026