

Disclaimer: Images are for illustrative purposes.

Standard Full Nut

Thread Type: BSW - Coarse

Thread Direction: Right Hand

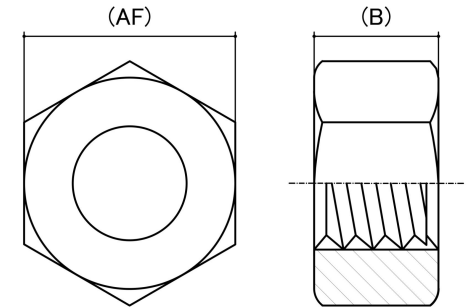
Material: Solid Brass

Class Grade: Low Tensile Grade 2

Corrosion Protection Level: Ultimate

Standard: AS 2451

Comments: BSW and UNC have the same thread per inch (TPI) value, except for 1/2"



Size	Thread Pitch (TPI)	Thread Type	Overall Nut Height (B) (mm)		Across Flats (AF) (mm)		Spanner Size (AF) (inches)	sku (Part Number)
			Min	Max	Min	Max		
1/8"	40 TPI	Coarse	2.62	3.00	5.49	5.59	15/64"	41BW18
5/32"	32 TPI	Coarse	3.45	3.70	6.99	7.24	9/32"	41BW532
3/16" (#10-24)	24 TPI	Coarse	3.94	4.20	8.11	8.23	11/32"	41BW316
1/4"	20 TPI	Coarse	4.57	5.08	9.76	10.00	7/16"	41BW14
5/16"	18 TPI	Coarse	5.84	6.35	13.66	13.90	9/16"	41BW516
3/8"	16 TPI	Coarse	7.42	7.93	13.66	13.90	9/16"	41BW38
1/2"	12 TPI	Coarse	10.60	10.80	20.62	20.83	7/8"	41BW12
1/2"	13 TPI	Coarse	10.85	11.10	18.70	19.05	3/4"	41BC12

Disclaimer:

Dimensional data and technical information was obtained from publically available sources and not acquired through standard agencies. It has been completed and compiled through reference purposes only; where discrepancies are found they are subject to change without notice. Bolt & Nut Australia makes no warranties or representations regarding the accuracy and validity of the compiled information and data. Contact the relevant standard authorities for accurate and detailed information.

© Bolt & Nut Australia Pty Ltd. All rights reserved.

Version: 17 Mar 2026