

Disclaimer: Images are for illustrative purposes.

Standard Full Nut

Thread Type: Metric - Coarse

Thread Direction: Right Hand

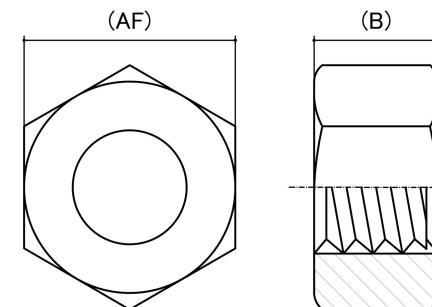
Material: Carbon Steel

Class Grade: High Tensile Class 10

Finish: Zinc Plated

Corrosion Protection Level: Moderate

Standard: AS 1112



Size	Thread Pitch (mm)	Thread Type	Overall Nut Height (B) (mm)		Across Flats (AF) (mm)		Spanner Size (AF) (mm)	sku (Part Number)
			Min	Max	Min	Max		
M5	0.80mm	Coarse	4.40	4.70	7.78	8.00	8mm	415C10
M6	1.00mm	Coarse	4.90	5.20	9.78	10.00	10mm	416C10
M8	1.25mm	Coarse	6.44	6.93	12.73	13.00	13mm	418C10
M10	1.50mm	Coarse	8.04	8.40	15.73	16.00	16mm	4110C10
M12	1.75mm	Coarse	10.37	10.80	17.73	18.00	18mm	4112C10
M14	2.00mm	Coarse	12.10	12.80	20.67	21.00	21mm	4114C10
M16	2.00mm	Coarse	14.10	14.80	23.67	24.00	24mm	4116C10
M18	2.50mm	Coarse	15.10	15.80	26.16	27.00	27mm	4118C10
M20	2.50mm	Coarse	16.90	18.00	29.16	30.00	30mm	4120C10
M22	2.50mm	Coarse	19.80	21.10	33.00	34.00	34mm	4122C10
M24	3.00mm	Coarse	20.20	21.50	35.16	36.00	36mm	4124C10
M27	3.00mm	Coarse	22.50	23.80	40.00	41.00	41mm	4127C10
M30	3.50mm	Coarse	24.30	25.60	45.00	46.00	46mm	4130C10
M33	3.50mm	Coarse	27.40	28.70	49.00	50.00	50mm	4133C10
M36	4.00mm	Coarse	29.40	31.00	53.80	55.00	55mm	4136C10

Size	Thread Pitch (mm)	Thread Type	Overall Nut Height (B) (mm)		Across Flats (AF) (mm)		Spanner Size (AF) (mm)	sku (Part Number)
			Min	Max	Min	Max		
M42	4.50mm	Coarse	32.40	34.90	53.80	55.00	65mm	4142C10

Disclaimer:

Dimensional data and technical information was obtained from publically available sources and not acquired through standard agencies. It has been completed and compiled for reference purposes only; where discrepancies are found they are subject to change without notice. Bolt & Nut Australia makes no warranties or representations regarding the accuracy and validity of the compiled information and data. Contact the relevant standard authorities for accurate and detailed information.

© Bolt & Nut Australia Pty Ltd. All rights reserved.

Version: 17 Mar 2026