

Disclaimer: Images are for illustrative purposes.

Standard Full Nut

Thread Type: Metric - Coarse

Thread Direction: Right Hand

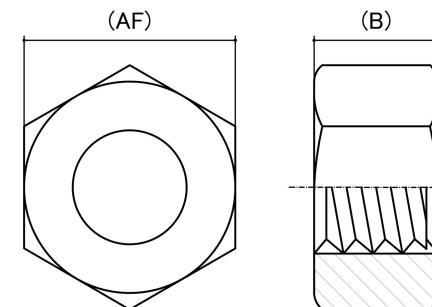
Material: Carbon Steel

Class Grade: High Tensile Class 8

Finish: Galvanised

Corrosion Protection Level: Excellent

Standard: AS 1112



Size	Thread Pitch (mm)	Thread Type	Overall Nut Height (B) (mm)		Across Flats (AF) (mm)		Spanner Size (AF) (mm)	sku (Part Number)
			Min	Max	Min	Max		
M6	1.00mm	Coarse	4.90	5.20	9.78	10.00	10mm	416G
M8	1.25mm	Coarse	6.44	6.93	12.73	13.00	13mm	418G
M10	1.50mm	Coarse	8.04	8.40	15.73	16.00	16mm	4110G
M12	1.75mm	Coarse	10.37	10.80	17.73	18.00	18mm	4112G
M16	2.00mm	Coarse	14.10	14.80	23.67	24.00	24mm	4116G
M20	2.50mm	Coarse	16.90	18.00	29.16	30.00	30mm	4120G
M22	2.50mm	Coarse	19.80	21.10	33.00	34.00	34mm	4122G
M24	3.00mm	Coarse	20.20	21.50	35.16	36.00	36mm	4124G
M27	3.00mm	Coarse	22.50	23.80	40.00	41.00	41mm	4127G
M30	3.50mm	Coarse	24.30	25.60	45.00	46.00	46mm	4130G
M33	3.50mm	Coarse	27.40	28.70	49.00	50.00	50mm	4133G
M36	4.00mm	Coarse	29.40	31.00	53.80	55.00	55mm	4136G
M39	4.00mm	Coarse	31.80	34.30	58.80	60.00	60mm	4139G
M42	4.50mm	Coarse	32.40	34.90	63.10	65.00	65mm	4142G
M48	5.00mm	Coarse	36.40	38.90	73.80	75.00	75mm	4148G

Size	Thread Pitch (mm)	Thread Type	Overall Nut Height (B) (mm)		Across Flats (AF) (mm)		Spanner Size (AF) (mm)	sku (Part Number)
			Min	Max	Min	Max		
M56	5.50mm	Coarse	43.40	45.90	82.80	85.00	85mm	4156G
M64	6.00mm	Coarse	49.40	52.40	92.80	95.00	95mm	4164G
M72	6.00mm	Coarse	57.00	59.00	102.80	105.00	105mm	4172G

Disclaimer:

Dimensional data and technical information was obtained from publicly available sources and not acquired through standard agencies. It has been completed and compiled for reference purposes only; where discrepancies are found they are subject to change without notice. Bolt & Nut Australia makes no warranties or representations regarding the accuracy and validity of the compiled information and data. Contact the relevant standard authorities for accurate and detailed information.

© Bolt & Nut Australia Pty Ltd. All rights reserved.

Version: 17 Mar 2026