

Disclaimer: Images are for illustrative purposes.

Standard Full Nut

Thread Type: Metric - Coarse

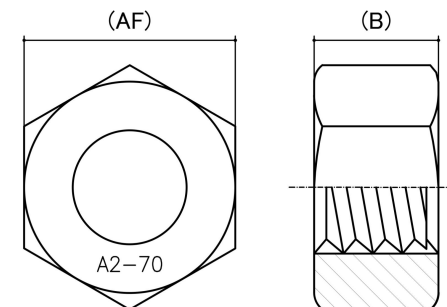
Thread Direction: Right Hand

Material: Stainless Steel

Class Grade: A2-70 G304

Corrosion Protection Level: Excellent

Standard: DIN 934



Size	Thread Pitch (mm)	Thread Type	Overall Nut Height (B) (mm)		Across Flats (AF) (mm)		Spanner Size (AF) (mm)	sku (Part Number)
			Min	Max	Min	Max		
M1.6	0.35mm	Coarse	1.05	1.30	3.02	3.20	3.2mm	41S1.6
M2	0.40mm	Coarse	1.35	1.75	3.82	4.00	4mm	41S2
M2.5	0.45mm	Coarse	1.75	2.00	4.82	5.00	5mm	41S25
M3	0.50mm	Coarse	2.15	2.40	5.32	5.50	5.5mm	41S3
M3.5	0.60mm	Coarse	2.54	2.90	5.82	6.00	6mm	41S3.5
M4	0.70mm	Coarse	2.90	3.30	6.78	7.00	7mm	41S4
M5	0.80mm	Coarse	3.70	4.00	7.78	8.00	8mm	41S5
M6	1.00mm	Coarse	4.70	5.00	9.78	10.00	10mm	41S6
M7	1.00mm	Coarse	5.20	5.50	10.73	11.00	11mm	41S7
M8	1.25mm	Coarse	6.14	6.40	12.73	13.00	13mm	41S8
M10	1.50mm	Coarse	7.42	8.00	16.73	17.00	17mm	41S10
M12	1.75mm	Coarse	9.64	10.00	18.67	19.00	19mm	41SM12
M14	2.00mm	Coarse	10.30	11.00	21.67	22.00	22mm	41SM14
M16	2.00mm	Coarse	12.30	13.00	23.67	24.00	24mm	41S16
M18	2.50mm	Coarse	14.30	15.00	26.16	27.00	27mm	41S18

Size	Thread Pitch (mm)	Thread Type	Overall Nut Height (B) (mm)		Across Flats (AF) (mm)		Spanner Size (AF) (mm)	sku (Part Number)
			Min	Max	Min	Max		
M20	2.50mm	Coarse	15.00	16.00	29.16	30.00	30mm	41S20
M22	2.50mm	Coarse	16.90	18.00	31.00	32.00	32mm	41S22
M24	3.00mm	Coarse	17.70	19.00	35.16	36.00	36mm	41S24
M27	3.00mm	Coarse	20.70	22.00	40.00	41.00	41mm	41S27
M30	3.50mm	Coarse	22.70	24.00	45.00	46.00	46mm	41S30
M36	4.00mm	Coarse	27.40	29.00	53.80	55.00	55mm	41S36

Disclaimer:

Dimensional data and technical information was obtained from publically available sources and not acquired through standard agencies. It has been completed and compiled for reference purposes only; where discrepancies are found they are subject to change without notice. Bolt & Nut Australia makes no warranties or representations regarding the accuracy and validity of the compiled information and data. Contact the relevant standard authorities for accurate and detailed information.

© Bolt & Nut Australia Pty Ltd. All rights reserved.

Version: 17 Mar 2026