

*Disclaimer: Images are for illustrative purposes.*

## Standard Full Nut

**Thread Type:** Metric - Coarse

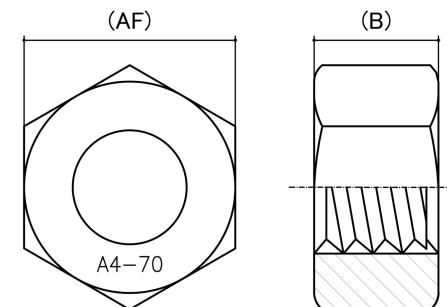
**Thread Direction:** Right Hand

**Material:** Stainless Steel

**Class Grade:** A4-70 G316

**Corrosion Protection Level:** Ultimate

**Standard:** DIN 934



Size	Thread Pitch (mm)	Thread Type	Overall Nut Height (B) (mm)		Across Flats (AF) (mm)		Spanner Size (AF) (mm)	sku (Part Number)
			Min	Max	Min	Max		
M2	0.40mm	Coarse	1.35	1.75	3.82	4.00	4mm	41S2M
M2.5	0.45mm	Coarse	1.75	2.00	4.82	5.00	5mm	41S25M
M3	0.50mm	Coarse	2.15	2.40	5.32	5.50	5.5mm	41S3M
M3.5	0.60mm	Coarse	2.54	2.90	5.82	6.00	6mm	41S3.5M
M4	0.70mm	Coarse	2.90	3.30	6.78	7.00	7mm	41S4M
M5	0.80mm	Coarse	3.70	4.00	7.78	8.00	8mm	41S5M
M6	1.00mm	Coarse	4.70	5.00	9.78	10.00	10mm	41S6M
M7	1.00mm	Coarse	5.20	5.50	10.73	11.00	11mm	41S7M
M8	1.25mm	Coarse	6.14	6.40	12.73	13.00	13mm	41S8M
M10	1.50mm	Coarse	7.42	8.00	16.73	17.00	17mm	41S10M
M12	1.75mm	Coarse	9.64	10.00	18.67	19.00	19mm	41SM12M
M14	2.00mm	Coarse	10.30	11.00	21.67	22.00	22mm	41SM14M
M16	2.00mm	Coarse	12.30	13.00	23.67	24.00	24mm	41S16M
M18	2.50mm	Coarse	14.30	15.00	26.16	27.00	27mm	41S18M
M20	2.50mm	Coarse	15.00	16.00	29.16	30.00	30mm	41S20M

Size	Thread Pitch (mm)	Thread Type	Overall Nut Height (B) (mm)		Across Flats (AF) (mm)		Spanner Size (AF) (mm)	sku (Part Number)
			Min	Max	Min	Max		
M22	2.50mm	Coarse	16.90	18.00	31.00	32.00	32mm	41S22M
M24	3.00mm	Coarse	17.70	19.00	35.16	36.00	36mm	41S24M
M27	3.00mm	Coarse	20.70	22.00	40.00	41.00	41mm	41S27M
M30	3.50mm	Coarse	22.70	24.00	45.00	46.00	46mm	41S30M
M33	3.50mm	Coarse	24.70	26.00	49.00	50.00	50mm	41S33M
M36	4.00mm	Coarse	27.40	29.00	53.80	55.00	55mm	41S36M

**Disclaimer:**

Dimensional data and technical information was obtained from publically available sources and not acquired through standard agencies. It has been completed and compiled for reference purposes only; where discrepancies are found they are subject to change without notice. Bolt & Nut Australia makes no warranties or representations regarding the accuracy and validity of the compiled information and data. Contact the relevant standard authorities for accurate and detailed information.

© Bolt & Nut Australia Pty Ltd. All rights reserved.

Version: 17 Mar 2026