

Disclaimer: Images are for illustrative purposes.

Standard Full Nut

Thread Type: Metric - Fine

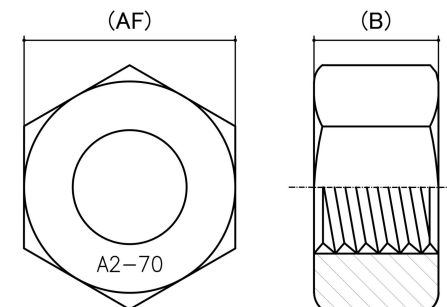
Thread Direction: Right Hand

Material: Stainless Steel

Class Grade: A2-70 G304

Corrosion Protection Level: Excellent

Standard: DIN 934



Size	Thread Pitch (mm)	Thread Type	Overall Nut Height (B) (mm)		Across Flats (AF) (mm)		Spanner Size (AF) (mm)	sku (Part Number)
			Min	Max	Min	Max		
M8	1.00mm	Fine	6.14	6.40	12.73	13.00	13mm	41SMF810
M10	1.00mm	Fine	7.42	8.00	16.73	17.00	17mm	41SMF1010
M10	1.25mm	Fine	7.42	8.00	16.73	17.00	17mm	41SMF10125
M12	1.25mm	Fine	9.64	10.00	18.67	19.00	19mm	41SMF12125
M12	1.50mm	Fine	9.64	10.00	18.67	19.00	19mm	41SMF12150
M14	1.50mm	Fine	10.30	11.00	21.67	22.00	22mm	41SMF14150
M16	1.50mm	Fine	12.30	13.00	23.67	24.00	24mm	41SMF16150
M18	1.50mm	Fine	14.30	15.00	26.16	27.00	27mm	41SMF18150
M20	1.50mm	Fine	15.00	16.00	29.16	30.00	30mm	41SMF20150
M24	1.50mm	Fine	17.70	19.00	35.16	36.00	36mm	41SMF24150

Disclaimer:

Dimensional data and technical information was obtained from publicly available sources and not acquired through standard agencies. It has been completed and compiled for reference purposes only; where discrepancies are found they are subject to change without notice. Bolt & Nut Australia makes no warranties or representations regarding the accuracy and validity of the compiled information and data. Contact the relevant standard authorities for accurate and detailed information.

© Bolt & Nut Australia Pty Ltd. All rights reserved.

Version: 17 Mar 2026