

Disclaimer: Images are for illustrative purposes.

Standard Full Nut

Thread Type: Metric - Fine

Thread Direction: Right Hand

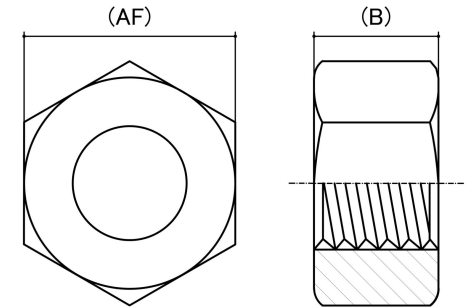
Material: Carbon Steel

Class Grade: High Tensile Class 8

Finish: Zinc Plated

Corrosion Protection Level: Moderate

Standard: AS 1112



Size	Thread Pitch (mm)	Thread Type	Overall Nut Height (B) (mm)		Across Flats (AF) (mm)		Spanner Size (AF) (mm)	sku (Part Number)
			Min	Max	Min	Max		
M8	1.00mm	Fine	6.44	6.93	12.73	13.00	13mm	41MF8100
M10	1.25mm	Fine	8.04	8.40	15.73	16.00	16mm	41MF10125
M12	1.25mm	Fine	10.37	10.80	17.73	18.00	18mm	41MF12125
M12	1.50mm	Fine	10.37	10.80	17.73	18.00	18mm	41MF12150
M14	1.50mm	Fine	12.10	12.80	20.67	21.00	21mm	41MF14150
M16	1.50mm	Fine	14.10	14.80	23.67	24.00	24mm	41MF16150
M18	1.50mm	Fine	15.10	15.80	26.16	27.00	27mm	41MF18150
M20	1.50mm	Fine	16.90	18.00	29.16	30.00	30mm	41MF20150
M24	1.50mm	Fine	20.20	21.50	35.16	36.00	36mm	41MF24150
M24	2.00mm	Fine	20.20	21.50	35.16	36.00	36mm	41MF24200

Disclaimer:

Dimensional data and technical information was obtained from publicly available sources and not acquired through standard agencies. It has been completed and compiled for reference purposes only; where discrepancies are found they are subject to change without notice. Bolt & Nut Australia makes no warranties or representations regarding the accuracy and validity of the compiled information and data. Contact the relevant standard authorities for accurate and detailed information.

© Bolt & Nut Australia Pty Ltd. All rights reserved.

Version: 17 Mar 2026