

*Disclaimer: Images are for illustrative purposes.*

## Standard Full Nut

**Thread Type:** UNC / BSW - Coarse

**Thread Direction:** Right Hand

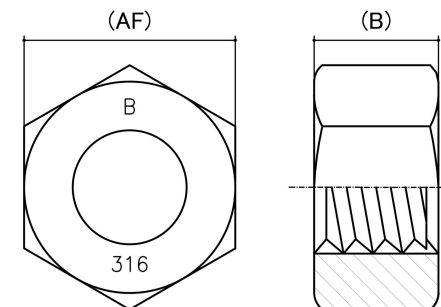
**Material:** Stainless Steel

**Class Grade:** A4-70 G316

**Corrosion Protection Level:** Ultimate

**Standard:** ANSI B18.6.3

**Comments:** UNC and BSW have the same thread per inch (TPI) value, except for 1/2"



Size	Thread Pitch (TPI)	Thread Type	Overall Nut Height (B) (mm)		Across Flats (AF) (mm)		Spanner Size (AF) (inches)	sku (Part Number)
			Min	Max	Min	Max		
1/4"	20 TPI	Coarse	5.39	5.75	10.88	11.16	7/16"	41SC14M
5/16"	18 TPI	Coarse	6.56	6.94	12.43	12.76	1/2"	41SC516M
3/8"	16 TPI	Coarse	8.13	8.56	14.00	14.28	9/16"	41SC38M
7/16"	14 TPI	Coarse	9.28	9.78	17.15	17.48	11/16"	41SC716M
1/2"	13 TPI	Coarse	10.85	11.38	18.70	19.05	3/4"	41SC12M
9/16"	12 TPI	Coarse	12.02	12.60	21.87	22.23	7/8"	41SC916M
5/8"	11 TPI	Coarse	13.59	14.20	23.42	23.83	15/16"	41SC58M
3/4"	10 TPI	Coarse	15.68	16.90	27.64	28.58	1-1/8"	41SC34M
7/8"	9 TPI	Coarse	18.39	19.72	32.24	33.33	1-5/16"	41SC78M
1"	8 TPI	Coarse	21.11	22.53	36.83	38.16	1-1/2"	41SC1M
1-1/8"	7 TPI	Coarse	23.90	25.40	41.40	42.90	1-11/16"	41SC118M
1-1/4"	7 TPI	Coarse	26.20	27.80	46.00	47.60	1-7/8"	41SC114M

**Disclaimer:**

Dimensional data and technical information was obtained from publically available sources and not acquired through standard agencies. It has been completed and compiled for reference purposes only; where discrepancies are found they are subject to change without notice. Bolt & Nut Australia makes no warranties or representations regarding the accuracy and validity of the compiled information and data. Contact the relevant standard authorities for accurate and detailed information.

© Bolt & Nut Australia Pty Ltd. All rights reserved.

Version: 17 Mar 2026