

*Disclaimer: Images are for illustrative purposes.*

## Standard Full Nut

**Thread Type:** UNF - Fine

**Thread Direction:** Right Hand

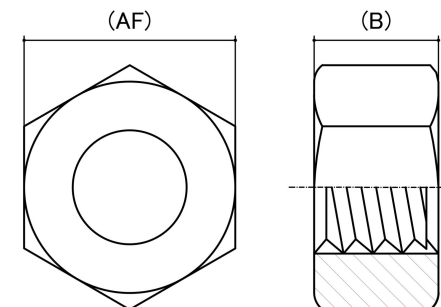
**Material:** Carbon Steel

**Class Grade:** High Tensile Class 8

**Finish:** Can be either Plain Black uncoated or a Bright Steel appearance

**Corrosion Protection Level:** Very Low

**Standard:** AS 2465



Size	Thread Pitch (TPI)	Thread Type	Overall Nut Height (B) (mm)		Across Flats (AF) (mm)		Spanner Size (AF) (inches)	sku (Part Number)
			Min	Max	Min	Max		
1/4"	28 TPI	Fine	5.39	5.75	10.88	11.16	7/16"	41F14P
5/16"	24 TPI	Fine	6.56	6.94	12.43	12.76	1/2"	41F516P
3/8"	24 TPI	Fine	8.13	8.56	14.00	14.28	9/16"	41F38P
7/16"	20 TPI	Fine	9.28	9.78	17.15	17.48	11/16"	41F716P
1/2"	20 TPI	Fine	10.85	11.38	18.70	19.05	3/4"	41F12P
9/16"	18 TPI	Fine	12.02	12.60	21.87	22.23	7/8"	41F916P
5/8"	18 TPI	Fine	13.59	14.20	23.42	23.83	15/16"	41F58P
3/4"	16 TPI	Fine	15.68	16.90	27.64	28.58	1-1/8"	41F34P
7/8"	14 TPI	Fine	18.39	19.72	32.24	33.33	1-5/16"	41F78P

**Disclaimer:**

Dimensional data and technical information was obtained from publicly available sources and not acquired through standard agencies. It has been completed and compiled for reference purposes only; where discrepancies are found they are subject to change without notice. Bolt & Nut Australia makes no warranties or representations regarding the accuracy and validity of the compiled information and data. Contact the relevant standard authorities for accurate and detailed information.

© Bolt & Nut Australia Pty Ltd. All rights reserved.

Version: 17 Mar 2026