

Disclaimer: Images are for illustrative purposes.

Large Flange Head Jack Nut

Body Type: Round Open

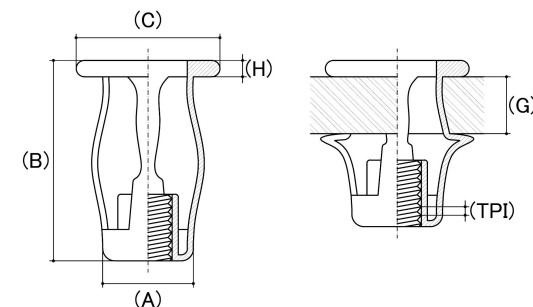
Outside Body: Smooth

Thread Type: Metric - Coarse

Body Material: Steel to AISI 1010 1008

Finish: Zinc Plated

Corrosion Protection Level: Moderate



Size	Thread Pitch (mm)	Thread Type	Material Grip Range (G) (mm)		Overall Nut Height (B) (mm)	Head Diameter (C) (mm)	Nut Width (A) (mm)	Flange Thickness (H) (mm)	Recommended Hole Size (mm)	sku (Part Number)
			Min	Max	Nom	Nom	Nom	Nom		
M4	0.70mm	Coarse	0.40	4.70	17.00	11.90	7.50	1.80	7.50	43JN4
M4	0.70mm	Coarse	4.70	9.50	22.00	11.90	7.50	1.80	7.50	43JN42
M5	0.80mm	Coarse	4.70	9.50	23.20	13.50	9.00	1.80	9.00	43JN52
M6	1.00mm	Coarse	0.40	4.70	18.90	16.00	11.00	1.80	11.00	43JN6
M6	1.00mm	Coarse	4.70	9.50	23.00	16.00	11.00	1.80	11.00	43JN62

Disclaimer:

Dimensional data and technical information was obtained from publicly available sources and not acquired through standard agencies. It has been completed and compiled for reference purposes only; where discrepancies are found they are subject to change without notice. Bolt & Nut Australia makes no warranties or representations regarding the accuracy and validity of the compiled information and data. Contact the relevant standard authorities for accurate and detailed information.

© Bolt & Nut Australia Pty Ltd. All rights reserved.

Version: 17 Mar 2026