

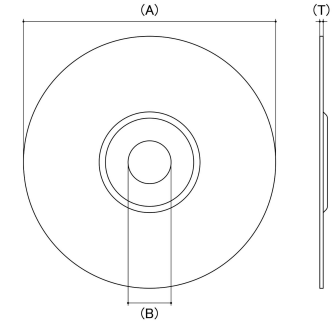
*Disclaimer: Images are for illustrative purposes.*

## Cutting Disc A60

**Product Brand:** Klingspor

**Country Of Origin:** Germany / EU

**Application:** Stainless Steel, Steel & Non Ferrous Metals



Size (A) (mm)	Thickness (T) (mm)	Bore (B) (mm)	Max Operating Speed	sku (Part Number)
100mm	1.00	16.00	80 m/s	16CD100116A60TZ
115mm	1.00	22.20	80 m/s	16CD11512223A60TZ
125mm	1.00	22.20	80 m/s	16CD12512223A60TZ

**Disclaimer:**

Dimensional data and technical information was obtained from publicly available sources and not acquired through standard agencies. It has been completed and compiled for reference purposes only; where discrepancies are found they are subject to change without notice. Bolt & Nut Australia makes no warranties or representations regarding the accuracy and validity of the compiled information and data. Contact the relevant standard authorities for accurate and detailed information.

© Bolt & Nut Australia Pty Ltd. All rights reserved.

Version: 17 Mar 2026