

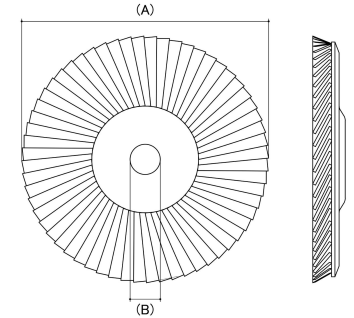
Disclaimer: Images are for illustrative purposes.

Flap Disc SMT624

Product Brand: Klingspor

Country Of Origin: Germany / EU

Application: Stainless Steel and Steel



Size (A) (mm)	Grit	Grade	Bore (B) (mm)	Grain	Max Operating Speed	sku (Part Number)
100mm	36	Ultra Coarse	16.00	Zirconia Alumina	80 m/s	16FD100116SMT624
100mm	40	Ultra Coarse	16.00	Zirconia Alumina	80 m/s	16FD1001640SMT624
100mm	60	Coarse	16.00	Zirconia Alumina	80 m/s	16FD1001660SMT624
100mm	80	Coarse	16.00	Zirconia Alumina	80 m/s	16FD1001680SMT624
100mm	120	Medium	16.00	Zirconia Alumina	80 m/s	16FD10016120SMT624
115mm	36	Ultra Coarse	22.20	Zirconia Alumina	80 m/s	16FD115222336SMT624
115mm	40	Ultra Coarse	22.20	Zirconia Alumina	80 m/s	16FD115222340SMT624
115mm	60	Coarse	22.20	Zirconia Alumina	80 m/s	16FD115222360SMT624
115mm	80	Coarse	22.20	Zirconia Alumina	80 m/s	16FD115222380SMT624
115mm	120	Medium	22.20	Zirconia Alumina	80 m/s	16FD1152223120SMT624
125mm	40	Ultra Coarse	22.20	Zirconia Alumina	80 m/s	16FD125222340SMT624
125mm	60	Coarse	22.20	Zirconia Alumina	80 m/s	16FD125222360SMT624
125mm	120	Medium	22.20	Zirconia Alumina	80 m/s	16FD1252223120SMT624
180mm	36	Ultra Coarse	22.20	Zirconia Alumina	80 m/s	16FD180222336SMT624
180mm	40	Ultra Coarse	22.20	Zirconia Alumina	80 m/s	16FD180222340SMT624
180mm	60	Coarse	22.20	Zirconia Alumina	80 m/s	16FD180222360SMT624

Size (A) (mm)	Grit	Grade	Bore (B) (mm)	Grain	Max Operating Speed	sku (Part Number)
180mm	80	Coarse	22.20	Zirconia Alumina	80 m/s	16FD180222380SMT624
180mm	120	Medium	22.20	Zirconia Alumina	80 m/s	16FD1802223120SMT624

Disclaimer:

Dimensional data and technical information was obtained from publically available sources and not acquired through standard agencies. It has been completed and compiled for reference purposes only; where discrepancies are found they are subject to change without notice. Bolt & Nut Australia makes no warranties or representations regarding the accuracy and validity of the compiled information and data. Contact the relevant standard authorities for accurate and detailed information.

© Bolt & Nut Australia Pty Ltd. All rights reserved.

Version: 17 Mar 2026