

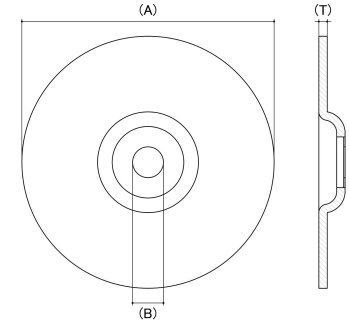
Disclaimer: Images are for illustrative purposes.

Grinding Disc A24

Product Brand: Klingspor

Country Of Origin: Germany / EU

Application: Metals



Size (A) (mm)	Thickness (T) (mm)	Bore (B) (mm)	Max Operating Speed	sku (Part Number)
100mm	6.00	16.00	80 m/s	16GD100616A24
115mm	6.00	22.20	80 m/s	16GD11562223A24
125mm	6.00	22.20	80 m/s	16GD12562223A24
180mm	6.00	22.20	80 m/s	16GD18062223A24
230mm	6.00	22.20	80 m/s	16GD23062223A24

Disclaimer:

Dimensional data and technical information was obtained from publically available sources and not acquired through standard agencies. It has been completed and compiled for reference purposes only; where discrepancies are found they are subject to change without notice. Bolt & Nut Australia makes no warranties or representations regarding the accuracy and validity of the compiled information and data. Contact the relevant standard authorities for accurate and detailed information.

© Bolt & Nut Australia Pty Ltd. All rights reserved.

Version: 17 Mar 2026