

Disclaimer: Images are for illustrative purposes.

Landscape Timber Screw

Head Style: Large Washer Head

Drive Type: Internal Hex

Screw Point: Type 17 for Timber

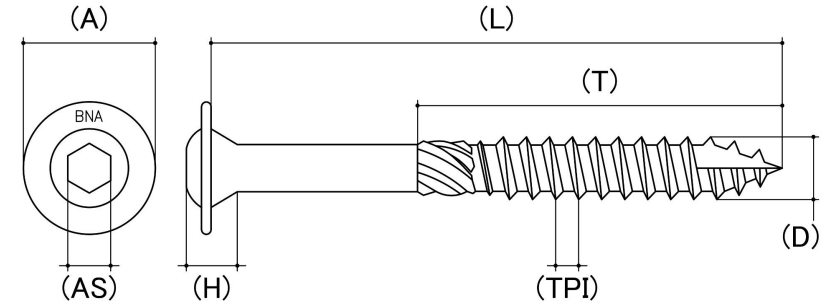
Material: Hardened Steel

Class Grade: Class 3 / 4

Finish: Galvanised

Corrosion Protection Level: Excellent

Internal External: External



| Size | Thread Pitch (TPI) | Thread Type | Head Diameter (A) (mm) | | Head Height (H) (mm) | | Driver Bit Size (AS) (mm) | sku (Part Number) |
|--------------|--------------------|-------------|------------------------|-------|----------------------|------|---------------------------|-------------------|
| | | | Min | Max | Min | Max | | |
| 16g (6.80mm) | 8 TPI | Coarse | 15.40 | 15.70 | 3.60 | 3.80 | 5.00 | 06W16C3 |

Disclaimer:

Dimensional data and technical information was obtained from publically available sources and not acquired through standard agencies. It has been completed and compiled for reference purposes only; where discrepancies are found they are subject to change without notice. Bolt & Nut Australia makes no warranties or representations regarding the accuracy and validity of the compiled information and data. Contact the relevant standard authorities for accurate and detailed information.

© Bolt & Nut Australia Pty Ltd. All rights reserved.

Version: 17 Mar 2026