

*Disclaimer: Images are for illustrative purposes.*

## Left Hand Thread Nut

**Thread Type:** Metric Coarse - Left Hand Thread

**Thread Direction:** Left Hand (Reverse)

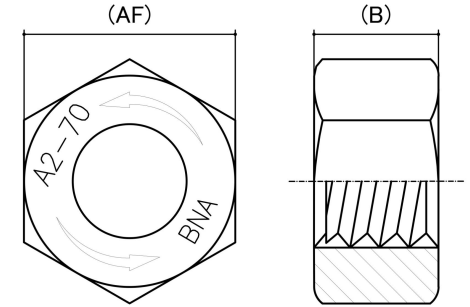
**Material:** Stainless Steel

**Class Grade:** A2-70 G304

**Corrosion Protection Level:** Excellent

**Standard:** DIN 934

**Comments:** Please note: This nut is left hand thread (reverse thread) and will only work on left hand thread fasteners



Size	Thread Pitch (mm)	Thread Type	Overall Nut Height (B) (mm)		Across Flats (AF) (mm)		Spanner Size (AF) (mm)	sku (Part Number)
			Min	Max	Min	Max		
M4	0.70mm	Left Hand Thread	2.90	3.30	6.78	7.00	7mm	41SLH4
M5	0.80mm	Left Hand Thread	3.70	4.00	7.78	8.00	8mm	41SLH5
M6	1.00mm	Left Hand Thread	4.70	5.00	9.78	10.00	10mm	41SLH6
M8	1.25mm	Left Hand Thread	6.14	6.50	12.73	13.00	13mm	41SLH8
M10	1.50mm	Left Hand Thread	7.64	8.00	16.73	17.00	17mm	41SLH10
M12	1.75mm	Left Hand Thread	9.64	10.00	18.67	19.00	19mm	41SLH12
M16	2.00mm	Left Hand Thread	12.30	13.00	23.67	24.00	24mm	41SLH16
M20	2.50mm	Left Hand Thread	14.90	16.00	29.16	30.00	30mm	41SLH20
M24	3.00mm	Left Hand Thread	17.70	19.00	35.16	36.00	36mm	41SLH24

**Disclaimer:**

Dimensional data and technical information was obtained from publically available sources and not acquired through standard agencies. It has been completed and compiled for reference purposes only; where discrepancies are found they are subject to change without notice. Bolt & Nut Australia makes no warranties or representations regarding the accuracy and validity of the compiled information and data. Contact the relevant standard authorities for accurate and detailed information.

© Bolt & Nut Australia Pty Ltd. All rights reserved.

Version: 17 Mar 2026