

Disclaimer: Images are for illustrative purposes.

Left Hand Thread Nut

Thread Type: Metric Coarse - Left Hand Thread

Thread Direction: Left Hand (Reverse)

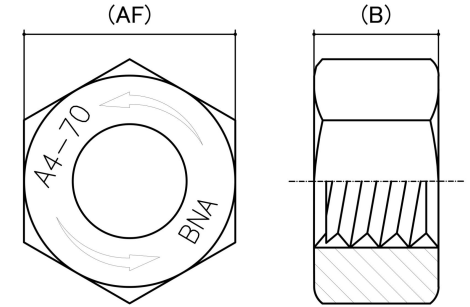
Material: Stainless Steel

Class Grade: A4-70 G316

Corrosion Protection Level: Ultimate

Standard: DIN 934

Comments: Please note: This nut is left hand thread and will only work on left hand thread fasteners



Size	Thread Pitch (mm)	Thread Type	Overall Nut Height (B) (mm)		Across Flats (AF) (mm)		Spanner Size (AF) (mm)	sku (Part Number)
			Min	Max	Min	Max		
M5	0.80mm	Left Hand Thread	3.70	4.00	7.78	8.00	8mm	41SLH5M
M6	1.00mm	Left Hand Thread	4.70	5.00	9.78	10.00	10mm	41SLH6M
M8	1.25mm	Left Hand Thread	6.14	6.50	12.73	13.00	13mm	41SLH8M
M10	1.50mm	Left Hand Thread	7.64	8.00	16.73	17.00	17mm	41SLH10M
M12	1.75mm	Left Hand Thread	9.64	10.00	18.67	19.00	19mm	41SLH12M
M16	2.00mm	Left Hand Thread	12.30	13.00	23.67	24.00	24mm	41SLH16M

Disclaimer:

Dimensional data and technical information was obtained from publically available sources and not acquired through standard agencies. It has been completed and compiled for reference purposes only; where discrepancies are found they are subject to change without notice. Bolt & Nut Australia makes no warranties or representations regarding the accuracy and validity of the compiled information and data. Contact the relevant standard authorities for accurate and detailed information.

© Bolt & Nut Australia Pty Ltd. All rights reserved.

Version: 17 Mar 2026