

Disclaimer: Images are for illustrative purposes.

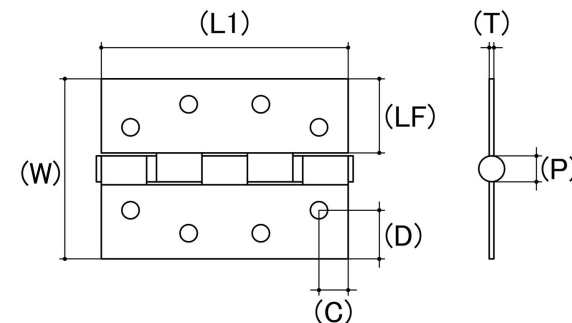
Loose Pin Hinge

Pin Type: Loose Pin

Material: Stainless Steel

Class Grade: A2-70 G304

Corrosion Protection Level: Excellent



| Size | Length L (1) (mm) | Open Width (W) (mm) | Width of each Leaf (LF) (mm) | Leaf Thickness (T) (mm) | Pin Diameter (P) (mm) | Hole To Edge (D) (mm) | Hole To Edge (C) (mm) | No Of Holes Per Leaf | Countersunk Screws Included | | sku (Part Number) |
|--------------------------|-------------------------|---------------------------|------------------------------------|-------------------------------|-----------------------------|-----------------------------|-----------------------------|-------------------------|--------------------------------|-----|----------------------|
| | | | | | | | | | Min | Max | |
| 100mm x 70mm (8 hole) | 100.00 | 70.00 | 30.00 | 1.90 | 10.38 | 11.86 | 18.09 | 4 | 8g x 1 | - | 62BHS10070LP |
| 100mm x 75mm (8 hole) | 100.00 | 70.00 | 30.00 | 2.50 | 12.00 | 11.86 | 18.09 | 4 | 8g x 1-1/4 | - | 62BHS10075LP |

Disclaimer:

Dimensional data and technical information was obtained from publically available sources and not acquired through standard agencies. It has been completed and compiled for reference purposes only; where discrepancies are found they are subject to change without notice. Bolt & Nut Australia makes no warranties or representations regarding the accuracy and validity of the compiled information and data. Contact the relevant standard authorities for accurate and detailed information.

© Bolt & Nut Australia Pty Ltd. All rights reserved.

Version: 19 Mar 2026