

Disclaimer: Images are for illustrative purposes.

Standard Full Nut

Thread Type: Metric - Coarse

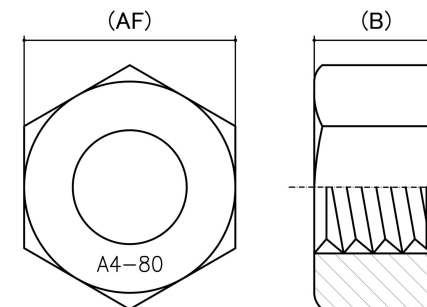
Thread Direction: Right Hand

Material: High Tensile Stainless Steel

Class Grade: High Tensile A4-80 G316

Corrosion Protection Level: Ultimate

Standard: DIN 934



Size	Thread Pitch (mm)	Thread Type	Overall Nut Height (B) (mm)		Across Flats (AF) (mm)		Spanner Size (AF) (mm)	sku (Part Number)
			Min	Max	Min	Max		
M4	0.70mm	Coarse	2.90	3.30	6.78	7.00	7mm	41S4MN
M5	0.80mm	Coarse	3.70	4.00	7.78	8.00	8mm	41S5MN
M6	1.00mm	Coarse	4.70	5.00	9.78	10.00	10mm	41S6MN
M8	1.25mm	Coarse	6.14	6.40	12.73	13.00	13mm	41S8MN
M10	1.50mm	Coarse	7.42	8.00	16.73	17.00	17mm	41S10MN
M12	1.75mm	Coarse	9.64	10.00	18.67	19.00	19mm	41SM12MN
M16	2.00mm	Coarse	12.30	13.00	23.67	24.00	24mm	41S16MN
M20	2.50mm	Coarse	15.00	16.00	29.16	30.00	30mm	41S20MN
M24	3.00mm	Coarse	17.70	19.00	35.16	36.00	36mm	41S24MN
M30	3.50mm	Coarse	22.70	24.00	45.00	46.00	46mm	41S30MN

Disclaimer:

Dimensional data and technical information was obtained from publicly available sources and not acquired through standard agencies. It has been completed and compiled for reference purposes only; where discrepancies are found they are subject to change without notice. Bolt & Nut Australia makes no warranties or representations regarding the accuracy and validity of the compiled information and data. Contact the relevant standard authorities for accurate and detailed information.

© Bolt & Nut Australia Pty Ltd. All rights reserved.

Version: 17 Mar 2026