

## Nord-Lock® Large OD Wedge Washer

**Material:** High Tensile Steel

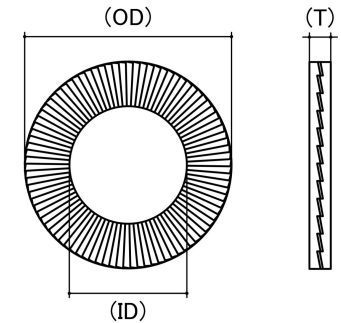
**Class Grade:** High Tensile Grade 12.9

**Corrosion Protection Level:** Excellent

**Finish:** Delta Protpekt Zinc Flake

**System Of Measurement:** Metric

**Comments:** Washers are not precision items. Dimensional data should be used as a guide only.



*Cad Drawings shown for graphic representation only.\**

Industry Size	Inside Dimension (ID) (mm)		Outside Dimension (OD) (mm)		Thickness (T) (mm)		Nord Lock Part (NO)	sku (Part Number)
	Min	Max	Min	Max	Min	Max		
M4 x 9 x 1.8	4.30	4.50	8.80	9.20	1.55	2.05	NL4sp	71NL49DP
M5 x 10.8 x 1.8	5.30	5.50	10.60	11.00	1.55	2.05	NL5sp	71NL5108DP
M6 x 13.5 x 2.5	6.40	6.60	13.30	13.70	2.25	2.75	NL6sp	71NL6135DP
M8 x 16.6 x 2.5	8.60	8.80	16.40	16.80	2.25	2.75	NL8sp	71NL8166DP
M10 x 21 x 2.5	10.50	10.90	20.80	21.20	2.25	2.75	NL10sp	71NL1021DP
M12 x 25.4 x 3.4	12.80	13.20	25.20	25.60	3.15	3.65	NL12sp	71NLM12254DP
M14 x 30.7 x 3.4	15.00	15.40	30.50	30.90	3.15	3.65	NL14sp	71NL14307DP
M16 x 30.7 x 3.4	16.80	17.20	30.50	30.90	3.15	3.65	NL16sp	71NL16307DP
M18 x 34.5 x 3.4	19.30	19.70	34.30	34.70	3.15	3.65	NL18sp	71NL18345DP
M20 x 39 x 3.4	21.20	21.60	38.80	39.20	3.15	3.65	NL20sp	71NL2039DP
M22 x 42 x 4.6	23.20	23.60	41.80	42.20	4.35	4.85	NL22sp	71NL2242DP
M24 x 48.5 x 4.6	25.10	25.50	48.30	48.70	4.35	4.85	NL24sp	71NL24485DP
M27 x 48.5 x 5.8	28.20	28.60	48.20	48.80	5.55	6.05	NL27sp	71NL27485DP
M30 x 58.5 x 6.6	31.20	31.60	58.20	58.80	6.10	7.10	NL30sp	71NL30585DP

Industry Size	Inside Dimension (ID) (mm)		Outside Dimension (OD) (mm)		Thickness (T) (mm)		Nord Lock Part (NO)	sku (Part Number)
	Min	Max	Min	Max	Min	Max		
M33 x 58.5 x 6.6	34.20	34.60	58.20	58.80	6.10	7.10	NL33sp	71NL33585DP
M36 x 63 x 6.6	37.20	37.60	62.70	63.30	6.10	7.10	NL36sp	71NL3663DP

**Disclaimer:**

Dimensional data and technical information was obtained from publically available sources and not acquired through standard agencies. It has been completed and compiled for reference purposes only; where discrepancies are found they are subject to change without notice. Bolt & Nut Australia makes no warranties or representations regarding the accuracy and validity of the compiled information and data. Contact the relevant standard authorities for accurate and detailed information.

\* Cad Drawings may not reflect diameter, thread length or overall length.

© Bolt & Nut Australia Pty Ltd. All rights reserved.

Version: 09 Aug 2024