

Disclaimer: Images are for illustrative purposes.

Countersunk Head Nutsert

Body Type: Round Closed

Outside Body: Smooth

Thread Type: Metric - Coarse

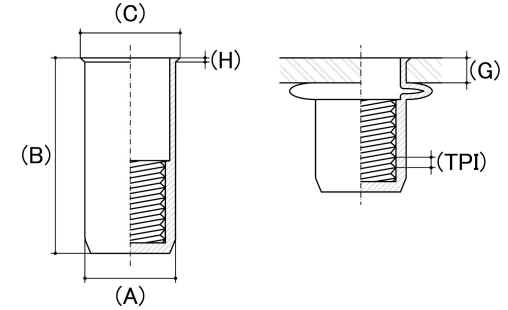
Body Material: Stainless Steel

Finish: Stainless Steel A2-70 G304

Corrosion Protection Level: Excellent

Waterproof: Yes

Comments: Before installing check that your Tool capabilities cover required size and material. We recommend using a paste on the mandrel thread to prolong mandrel life



Size	Thread Pitch (mm)	Thread Type	Material Grip Range (G) (mm)		Overall Nut Height (B) (mm)	Head Diameter (C) (mm)	Nut Width (A) (mm)	Flange Thickness (H) (mm)	Recommended Hole Size (mm)	Pull Out (KN)	Push Out (KN)	Torque To Turn (NM)	sku (Part Number)
			Min	Max	Nom	Nom	Nom	Nom					
M4	0.70mm	Coarse	0.50	2.50	16.00	7.00	5.90	0.50	6.00	7	2	4	43CCES4SM
M5	0.80mm	Coarse	0.50	3.00	18.00	8.00	6.90	0.50	7.00	12	2	9	43CCES5SM
M6	1.00mm	Coarse	0.50	3.00	21.00	10.00	8.90	0.50	9.00	20	4	14	43CCES6SM
M8	1.25mm	Coarse	0.50	3.00	23.50	12.00	10.90	0.50	11.00	32	4	44	43CCES8SM

Disclaimer:

Dimensional data and technical information was obtained from publicly available sources and not acquired through standard agencies. It has been completed and compiled for reference purposes only; where discrepancies are found they are subject to change without notice. Bolt & Nut Australia makes no warranties or representations regarding the accuracy and validity of the compiled information and data. Contact the relevant standard authorities for accurate and detailed information.

© Bolt & Nut Australia Pty Ltd. All rights reserved.

Version: 17 Mar 2026