

Disclaimer: Images are for illustrative purposes.

Countersunk Head Nutsert

Body Type: Round Open

Outside Body: Splined | Knurled

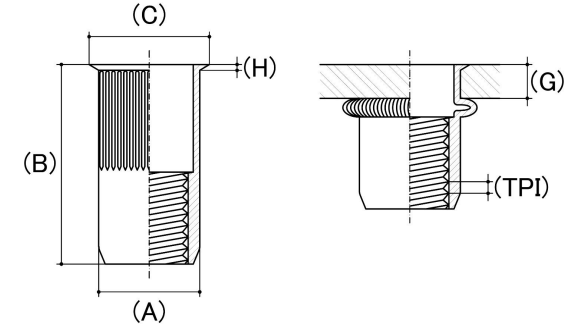
Thread Type: Metric - Coarse

Body Material: Stainless Steel

Finish: Stainless Steel A4-70 G316

Corrosion Protection Level: Ultimate

Comments: Before installing check that your Tool capabilities cover required size and material. We recommend using a paste on the mandrel thread to prolong mandrel life



Size	Thread Pitch (mm)	Thread Type	Material Grip Range (G) (mm)		Overall Nut Height (B) (mm)	Head Diameter (C) (mm)	Nut Width (A) (mm)	Flange Thickness (H) (mm)	Recommended Hole Size (mm)	Pull Out (KN)	Push Out (KN)	Torque To Turn (NM)	sku (Part Number)
			Min	Max	Nom	Nom	Nom	Nom					
M4	0.70mm	Coarse	0.50	2.00	10.50	7.00	5.90	0.50	6.00	3	1	2	43CS4105KM
M5	0.80mm	Coarse	0.50	2.00	11.50	8.00	6.90	0.50	7.00	7	1	2	43CS5115KM
M6	1.00mm	Coarse	0.50	2.50	14.00	10.00	8.90	0.50	9.00	15	2	5	43CS614KM
M8	1.25mm	Coarse	0.50	3.00	16.50	12.00	10.90	0.50	11.00	18	3	9	43CS8165KM

Disclaimer:

Dimensional data and technical information was obtained from publically available sources and not acquired through standard agencies. It has been completed and compiled for reference purposes only; where discrepancies are found they are subject to change without notice. Bolt & Nut Australia makes no warranties or representations regarding the accuracy and validity of the compiled information and data. Contact the relevant standard authorities for accurate and detailed information.

© Bolt & Nut Australia Pty Ltd. All rights reserved.

Version: 17 Mar 2026