

*Disclaimer: Images are for illustrative purposes.*

## Countersunk Head Nutsert

**Body Type:** Round Open

**Outside Body:** Splined | Knurled

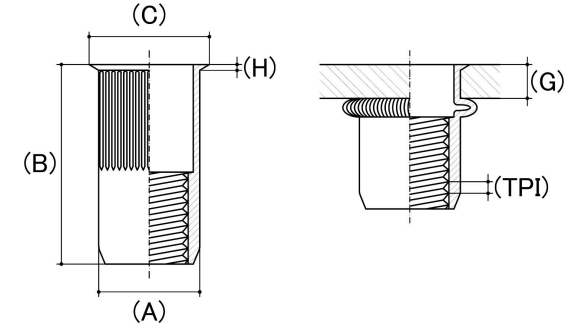
**Thread Type:** Metric - Coarse

**Body Material:** Low Carbon Steel

**Finish:** Zinc Plated

**Corrosion Protection Level:** Moderate

**Comments:** Before installing check that your Tool capabilities cover required size and material. We recommend using a paste on the mandrel thread to prolong mandrel life



Size	Thread Pitch (mm)	Thread Type	Material Grip Range (G) (mm)		Overall Nut Height (B) (mm)	Head Diameter (C) (mm)	Nut Width (A) (mm)	Flange Thickness (H) (mm)	Recommended Hole Size (mm)	Pull Out (KN)	Push Out (KN)	Torque To Turn (NM)	sku (Part Number)
			Min	Max	Nom	Nom	Nom	Nom					
M3	0.50mm	Coarse	0.70	2.00	9.00	6.00	4.90	0.40	5.00	2	0	2	43C39K
M3	0.50mm	Coarse	2.00	3.50	11.50	6.00	4.90	0.40	5.00	2	0	2	43C3115K
M4	0.70mm	Coarse	0.50	2.00	11.00	7.00	5.90	0.45	6.00	3	1	4	43C411K
M4	0.70mm	Coarse	2.50	4.00	13.00	7.00	5.90	0.45	6.00	3	1	4	43C413K
M5	0.80mm	Coarse	1.00	2.50	11.50	8.00	6.90	0.50	7.00	7	1	7	43C5115K
M5	0.80mm	Coarse	2.50	4.00	13.00	8.00	6.90	0.50	7.00	7	1	7	43C513K
M6	1.00mm	Coarse	0.50	2.50	14.00	10.00	8.90	0.50	9.00	13	2	12	43C614K
M6	1.00mm	Coarse	2.50	5.00	17.00	10.00	8.90	0.50	9.00	13	2	12	43C617K
M8	1.25mm	Coarse	0.50	3.00	16.50	12.00	10.90	0.50	11.00	18	2	16	43C8165K
M8	1.25mm	Coarse	3.00	5.00	18.50	12.00	10.90	0.50	11.00	18	2	16	43C8185K
M10	1.50mm	Coarse	0.50	3.00	19.50	14.00	12.90	0.60	13.00	19	3	34	43C10195K
M10	1.50mm	Coarse	3.50	6.00	22.00	14.00	12.90	0.60	13.00	19	3	32	43C1022K
M12	1.75mm	Coarse	1.50	3.00	22.00	17.00	15.90	0.60	16.00	19	3	34	43C1222K
M12	1.75mm	Coarse	4.00	6.00	27.00	17.00	15.90	0.60	16.00	19	3	32	43C1227K

**Disclaimer:**

Dimensional data and technical information was obtained from publically available sources and not acquired through standard agencies. It has been completed and compiled for reference purposes only; where discrepancies are found they are subject to change without notice. Bolt & Nut Australia makes no warranties or representations regarding the accuracy and validity of the compiled information and data. Contact the relevant standard authorities for accurate and detailed information.