

*Disclaimer: Images are for illustrative purposes.*

## Countersunk Head Nutsert

**Body Type:** Round Open

**Outside Body:** Splined | Knurled

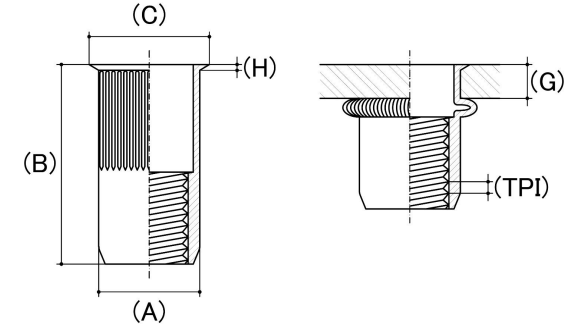
**Thread Type:** Metric - Coarse

**Body Material:** Stainless Steel

**Finish:** Stainless Steel A4-70 G316

**Corrosion Protection Level:** Ultimate

**Comments:** Before installing check that your Tool capabilities cover required size and material. We recommend using a paste on the mandrel thread to prolong mandrel life



Size	Thread Pitch (mm)	Thread Type	Material Grip Range (G) (mm)		Overall Nut Height (B) (mm)	Head Diameter (C) (mm)	Nut Width (A) (mm)	Flange Thickness (H) (mm)	Recommended Hole Size (mm)	Pull Out (KN)	Push Out (KN)	Torque To Turn (NM)	sku (Part Number)
			Min	Max	Nom	Nom	Nom	Nom					
M3	0.50mm	Coarse	0.50	2.00	9.00	6.00	4.95	0.50	5.00	-	-	-	43CS3SPM
M4	0.70mm	Coarse	0.50	2.50	11.00	7.00	5.95	0.50	6.00	3	1	2	43CS4SPM
M5	0.80mm	Coarse	0.50	3.00	12.00	8.00	6.95	0.50	7.00	7	1	2	43CS5SPM
M6	1.00mm	Coarse	0.50	3.00	14.00	10.00	8.95	0.50	9.00	15	2	5	43CS6SPM
M8	1.25mm	Coarse	0.50	3.00	16.00	12.00	10.95	0.50	11.00	18	3	9	43CS8SPM
M10	1.50mm	Coarse	1.00	3.50	19.00	14.20	12.95	0.80	13.00	-	-	-	43CS10SPM

**Disclaimer:**

Dimensional data and technical information was obtained from publically available sources and not acquired through standard agencies. It has been completed and compiled for reference purposes only; where discrepancies are found they are subject to change without notice. Bolt & Nut Australia makes no warranties or representations regarding the accuracy and validity of the compiled information and data. Contact the relevant standard authorities for accurate and detailed information.

© Bolt & Nut Australia Pty Ltd. All rights reserved.

Version: 17 Mar 2026