

Disclaimer: Images are for illustrative purposes.

Countersunk Head Nutsert

Body Type: Round Open

Outside Body: Splined | Knurled

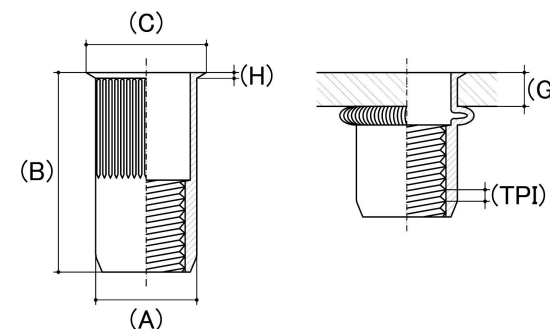
Thread Type: Metric - Coarse

Body Material: Low Carbon Steel

Finish: Zinc Plated

Corrosion Protection Level: Moderate

Comments: Before installing check that your Tool capabilities cover required size and material. We recommend using a paste on the mandrel thread to prolong mandrel life



Size	Thread Pitch (mm)	Thread Type	Material Grip Range (G) (mm)		Overall Nut Height (B) (mm)	Head Diameter (C) (mm)	Nut Width (A) (mm)	Flange Thickness (H) (mm)	Recommended Hole Size (mm)	Pull Out (KN)	Push Out (KN)	Torque To Turn (NM)	sku (Part Number)
			Min	Max	Nom	Nom	Nom	Nom					
M3	0.50mm	Coarse	0.50	1.50	9.00	5.70	4.95	0.40	5.00	2	0	2	43C3SP
M4	0.70mm	Coarse	0.50	2.50	11.20	6.50	5.95	0.45	6.00	3	1	4	43C4SP
M4	0.70mm	Coarse	2.50	4.00	12.00	6.50	5.95	0.45	6.00	3	1	4	43C4SP2
M5	0.80mm	Coarse	0.50	3.00	12.00	7.60	6.95	0.50	7.00	7	1	7	43C5SP
M5	0.80mm	Coarse	2.50	4.00	14.00	7.60	6.95	0.50	7.00	7	1	7	43C5SP2
M6	1.00mm	Coarse	0.50	3.00	15.00	10.00	8.95	0.50	9.00	13	2	12	43C6SP
M6	1.00mm	Coarse	3.00	5.00	17.00	10.00	8.95	0.50	9.00	13	2	12	43C6SP2
M8	1.25mm	Coarse	0.70	3.00	17.30	12.00	10.95	0.50	11.00	18	2	16	43C8SP
M8	1.25mm	Coarse	3.00	5.50	18.50	12.00	10.95	0.50	11.00	18	2	16	43C8SP2
M10	1.50mm	Coarse	1.00	4.00	20.50	14.00	12.95	0.60	13.00	19	3	34	43C10SP
M10	1.50mm	Coarse	4.00	6.00	23.50	14.00	12.95	0.60	13.00	19	3	32	43C10SP2
M12	1.75mm	Coarse	1.00	4.00	24.00	17.20	15.95	0.60	16.00	19	-	-	43C12SP
M12	1.75mm	Coarse	4.00	6.00	27.00	17.20	15.95	0.60	16.00	19	-	-	43C12SP2

Disclaimer:

Dimensional data and technical information was obtained from publically available sources and not acquired through standard agencies. It has been completed and compiled for reference purposes only; where discrepancies are found they are subject to change without notice. Bolt & Nut Australia makes no warranties or representations regarding the accuracy and validity of the compiled information and data. Contact the relevant standard authorities for accurate and detailed information.