

Disclaimer: Images are for illustrative purposes.

Nyloc Insert Nut

Thread Type: Metric - Coarse

Thread Direction: Right Hand

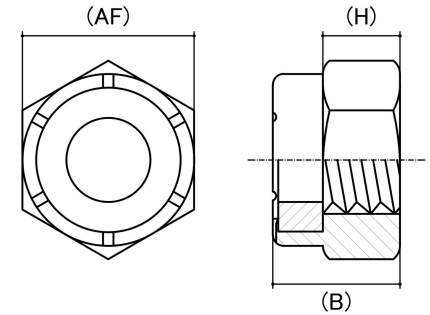
Material: Carbon Steel

Class Grade: High Tensile Class 10

Finish: Zinc Plated

Corrosion Protection Level: Moderate

Standard: DIN 985



Size	Thread Pitch (mm)	Thread Type	Overall Nut Height (B) (mm)		Hex Height (H) (mm)	Across Flats (AF) (mm)		Spanner Size (AF) (mm)	sku (Part Number)
			Min	Max	Nom	Min	Max		
M6	1.00mm	Coarse	5.70	6.00	4.00	9.78	10.00	10mm	41N6C10
M8	1.25mm	Coarse	7.64	8.00	5.50	12.73	13.00	13mm	41N8C10
M10	1.50mm	Coarse	9.64	10.00	6.50	16.73	17.00	17mm	41N10C10
M12	1.75mm	Coarse	11.57	12.00	8.00	18.67	19.00	19mm	41N12C10
M14	2.00mm	Coarse	13.30	14.00	9.50	21.67	22.00	22mm	41N14C10
M16	2.00mm	Coarse	15.30	16.00	10.50	23.67	24.00	24mm	41N16C10
M18	2.50mm	Coarse	17.66	18.50	13.00	26.16	27.00	27mm	41N18C10
M20	2.50mm	Coarse	18.67	20.00	14.00	29.16	30.00	30mm	41N20C10
M24	3.00mm	Coarse	23.15	24.00	15.00	35.16	36.00	36mm	41N24C10
M30	3.50mm	Coarse	28.70	30.00	19.00	45.00	46.00	46mm	41N30C10
M36	4.00mm	Coarse	34.40	36.00	25.00	53.80	55.00	55mm	41N36C10
M42	4.50mm	Coarse	40.40	42.00	29.00	63.80	65.00	65mm	41N42C10
M48	5.00mm	Coarse	46.40	48.00	36.00	73.80	75.00	75mm	41N48C10
M56	5.50mm	Coarse	54.00	56.00	42.00	82.80	85.00	85mm	41N56C10
M64	6.00mm	Coarse	62.00	64.00	50.00	92.80	95.00	95mm	41N64C10

Disclaimer:

Dimensional data and technical information was obtained from publically available sources and not acquired through standard agencies. It has been completed and compiled for reference purposes only; where discrepancies are found they are subject to change without notice. Bolt & Nut Australia makes no warranties or representations regarding the accuracy and validity of the compiled information and data. Contact the relevant standard authorities for accurate and detailed information.