

Disclaimer: Images are for illustrative purposes.

Nyloc Insert Nut

Thread Type: Metric - Coarse

Thread Direction: Right Hand

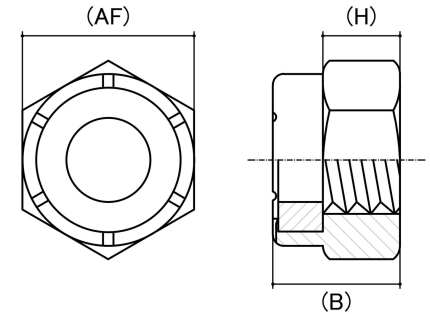
Material: Carbon Steel

Class Grade: High Tensile Class 8

Finish: Zinc Yellow

Corrosion Protection Level: Moderate

Standard: DIN 985



Size	Thread Pitch (mm)	Thread Type	Overall Nut Height (B) (mm)		Hex Height (H) (mm)	Across Flats (AF) (mm)		Spanner Size (AF) (mm)	sku (Part Number)
			Min	Max	Nom	Min	Max		
M5	0.80mm	Coarse	4.70	5.00	3.20	7.78	8.00	8mm	41N5ZY
M6	1.00mm	Coarse	5.70	6.00	4.00	9.78	10.00	10mm	41N6ZY
M8	1.25mm	Coarse	7.64	8.00	5.50	12.73	13.00	13mm	41N8ZY
M10	1.50mm	Coarse	9.64	10.00	6.50	16.73	17.00	17mm	41N10ZY
M12	1.75mm	Coarse	11.57	12.00	8.00	18.67	19.00	19mm	41N12ZY
M14	2.00mm	Coarse	13.30	14.00	9.50	21.67	22.00	22mm	41N14ZY
M16	2.00mm	Coarse	15.30	16.00	10.50	23.67	24.00	24mm	41N16ZY
M18	2.50mm	Coarse	17.66	18.50	13.00	26.16	27.00	27mm	41N18ZY
M20	2.50mm	Coarse	18.67	20.00	14.00	29.16	30.00	30mm	41N20ZY

Disclaimer:

Dimensional data and technical information was obtained from publically available sources and not acquired through standard agencies. It has been completed and compiled for reference purposes only; where discrepancies are found they are subject to change without notice. Bolt & Nut Australia makes no warranties or representations regarding the accuracy and validity of the compiled information and data. Contact the relevant standard authorities for accurate and detailed information.

© Bolt & Nut Australia Pty Ltd. All rights reserved.

Version: 17 Mar 2026