

Disclaimer: Images are for illustrative purposes.

Nyloc Insert Nut

Thread Type: Metric - Fine

Thread Direction: Right Hand

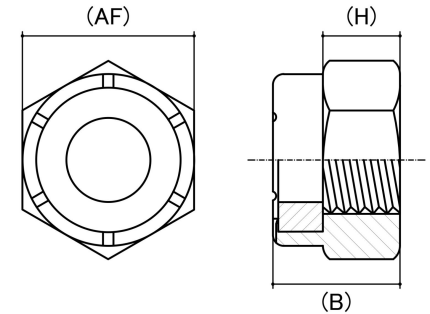
Material: Carbon Steel

Class Grade: High Tensile Class 8

Finish: Zinc Yellow

Corrosion Protection Level: Moderate

Standard: DIN 985



Size	Thread Pitch (mm)	Thread Type	Overall Nut Height (B) (mm)		Hex Height (H) (mm)	Across Flats (AF) (mm)		Spanner Size (AF) (mm)	sku (Part Number)
			Min	Max	Nom	Min	Max		
M8	1.00mm	Fine	7.64	8.00	5.50	12.73	13.00	13mm	41NMF8100ZY
M10	1.00mm	Fine	9.64	10.00	6.50	16.73	17.00	17mm	41NMF10100ZY
M10	1.25mm	Fine	9.64	10.00	6.50	16.73	17.00	17mm	41NMF10125ZY
M12	1.25mm	Fine	11.57	12.00	8.00	18.67	19.00	19mm	41NMF12125ZY
M12	1.50mm	Fine	11.57	12.00	8.00	18.67	19.00	19mm	41NMF12150ZY
M16	1.50mm	Fine	15.30	16.00	10.50	23.67	24.00	24mm	41NMF16150ZY
M20	1.50mm	Fine	18.67	20.00	14.00	29.16	30.00	30mm	41NMF20150ZY

Disclaimer:

Dimensional data and technical information was obtained from publicly available sources and not acquired through standard agencies. It has been completed and compiled for reference purposes only; where discrepancies are found they are subject to change without notice. Bolt & Nut Australia makes no warranties or representations regarding the accuracy and validity of the compiled information and data. Contact the relevant standard authorities for accurate and detailed information.

© Bolt & Nut Australia Pty Ltd. All rights reserved.

Version: 17 Mar 2026