

*Disclaimer: Images are for illustrative purposes.*

## Nyloc Insert Nut

**Thread Type:** UNF - Fine

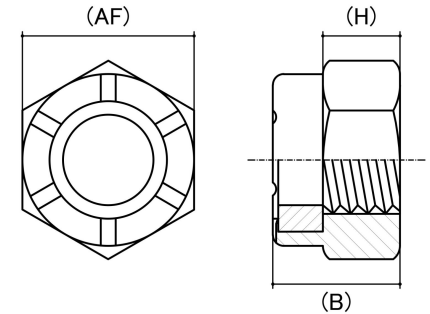
**Thread Direction:** Right Hand

**Material:** Stainless Steel

**Class Grade:** A2-70 G304

**Corrosion Protection Level:** Excellent

**Standard:** NM Series



Size	Thread Pitch (TPI)	Thread Type	Overall Nut Height (B) (mm)		Hex Height (H) (mm)	Across Flats (AF) (mm)		Spanner Size (AF) (inches)	sku (Part Number)
			Min	Max	Nom	Min	Max		
#10-32 (3/16")	32 TPI	Fine	5.80	6.30	3.70	9.20	9.53	3/8"	41NSF1032
1/4"	28 TPI	Fine	7.55	8.35	5.72	10.88	11.16	7/16"	41NSF14
5/16"	24 TPI	Fine	8.35	9.10	6.35	12.43	12.76	1/2"	41NSF516
3/8"	24 TPI	Fine	11.10	11.90	8.51	14.00	14.28	9/16"	41NSF38
7/16"	20 TPI	Fine	11.10	11.90	8.23	15.55	15.88	5/8"	41NSF716
1/2"	20 TPI	Fine	14.70	15.45	11.79	18.70	19.05	3/4"	41NSF12
5/8"	18 TPI	Fine	18.67	20.00	15.07	23.42	23.83	15/16"	41NSF58
3/4"	16 TPI	Fine	21.80	22.60	18.90	26.73	27.03	1-1/8"	41NSF34
7/8"	14 TPI	Fine	24.60	25.40	20.07	31.48	31.81	1-5/16"	41NSF78
1"	12 TPI	Fine	25.70	27.40	20.96	36.25	36.58	1-1/2"	41NSF1

**Disclaimer:**

Dimensional data and technical information was obtained from publicly available sources and not acquired through standard agencies. It has been completed and compiled for reference purposes only; where discrepancies are found they are subject to change without notice. Bolt & Nut Australia makes no warranties or representations regarding the accuracy and validity of the compiled information and data. Contact the relevant standard authorities for accurate and detailed information.

© Bolt & Nut Australia Pty Ltd. All rights reserved.

Version: 17 Mar 2026