

Disclaimer: Images are for illustrative purposes.

Nyloc Insert Nut

Thread Type: UNF - Fine

Thread Direction: Right Hand

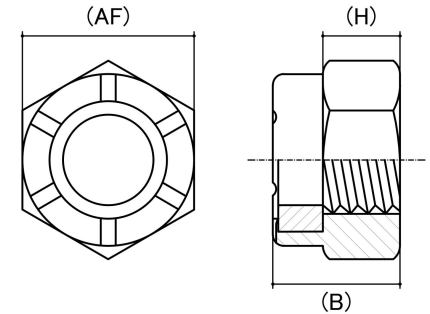
Material: Carbon Steel

Class Grade: High Tensile Grade 5

Finish: Zinc Plated

Corrosion Protection Level: Moderate

Standard: IFI-100NE



Size	Thread Pitch (TPI)	Thread Type	Overall Nut Height (B) (mm)		Hex Height (H) (mm)	Across Flats (AF) (mm)		Spanner Size (AF) (inches)	sku (Part Number)
			Min	Max	Nom	Min	Max		
#10-32 (3/16")	32 TPI	Fine	5.80	6.30	3.70	9.20	9.53	3/8"	41NF316
1/4"	28 TPI	Fine	7.55	8.35	5.72	10.88	11.16	7/16"	41NF14
5/16"	24 TPI	Fine	8.35	9.10	6.35	12.43	12.76	1/2"	41NF516
3/8"	24 TPI	Fine	11.10	11.90	8.51	14.00	14.28	9/16"	41NF38
7/16"	20 TPI	Fine	11.10	11.90	8.23	15.55	15.88	5/8"	41NF716
1/2"	20 TPI	Fine	14.70	15.45	11.79	18.70	19.05	3/4"	41NF12
9/16"	18 TPI	Fine	16.00	16.70	11.92	21.87	22.23	7/8"	41NF916
5/8"	18 TPI	Fine	18.67	20.00	15.07	23.42	23.83	15/16"	41NF58
3/4"	16 TPI	Fine	21.80	22.60	18.90	26.73	27.03	1-1/8"	41NF34
7/8"	14 TPI	Fine	24.60	25.40	20.07	31.48	31.81	1-5/16"	41NF78
1"	12 TPI	Fine	25.70	27.40	20.96	36.25	36.58	1-1/2"	41NF1
1-1/8"	12 TPI	Fine	28.70	30.60	23.82	41.00	41.33	1-5/8"	41NF118
1-1/4"	12 TPI	Fine	34.40	36.00	28.58	45.75	46.11	1-7/8"	41NF114C8
1-3/8"	12 TPI	Fine	38.60	40.00	32.75	50.60	52.40	2-1/16"	41NF138C8
1-1/2"	12 TPI	Fine	40.00	41.60	33.36	54.84	55.81	2-1/4"	41NF112C8

Size	Thread Pitch (TPI)	Thread Type	Overall Nut Height (B) (mm)		Hex Height (H) (mm)	Across Flats (AF) (mm)		Spanner Size (AF) (inches)	sku (Part Number)
			Min	Max	Nom	Min	Max		
1-3/4"	12 TPI	Fine	58.40	59.60	47.30	68.40	69.90	2-3/4"	41NF134C8
2"	12 TPI	Fine	60.00	62.70	44.45	78.39	79.68	3-1/8"	41NF2C8

Disclaimer:

Dimensional data and technical information was obtained from publically available sources and not acquired through standard agencies. It has been completed and compiled for reference purposes only; where discrepancies are found they are subject to change without notice. Bolt & Nut Australia makes no warranties or representations regarding the accuracy and validity of the compiled information and data. Contact the relevant standard authorities for accurate and detailed information.

© Bolt & Nut Australia Pty Ltd. All rights reserved.

Version: 17 Mar 2026